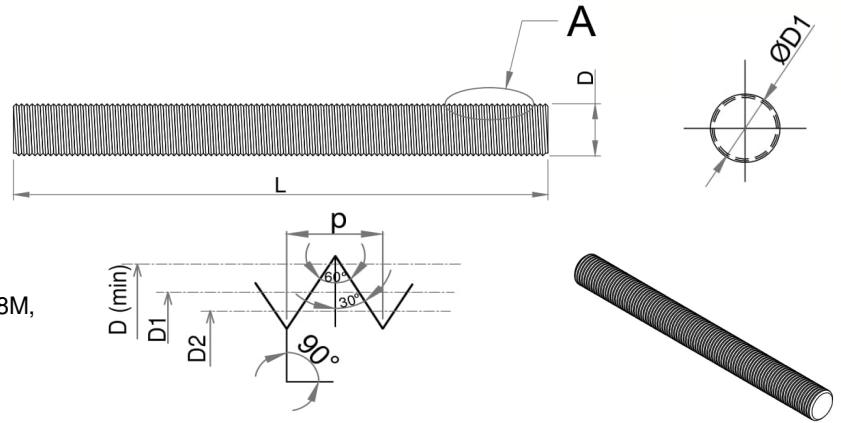


Stud Bolt – ANSI B18.1.1

Inch Series – Dimensions

Notes:-

1. The Stud Bolt will be according to ANSI B18.1.1.
2. Threads will be F.T & conform to Class 2A.
3. Material High grade carbon/ alloy steel & stainless steel.
4. Heat Treatment Property Class Grade B, B7, B7M, B8, B8M, B8T, L7, L7M, L43.
5. Coating & Marking will be done as per requirement.
6. Tolerance of Total Length of Stud Bolt is -0.0/+3.0 In required length.
7. Chemical & Mechanical Properties as per ASTM A193.



'A' Enlarge View

S. No.	Nominal size or basic product diameter			Unit	Major Diameter (D)		Pitch Diameter (D1)		Minor Diameter (D2)	b	
	inch	inch	UNC		Min.	Max.	Min.	Max.	Min.	Min.	Max.
1	1/2"	0.500	13	Inch	0.488	0.499	0.444	0.449	0.404	0.000	0.157
				mm	12.385	12.662	11.265	11.392	10.264	0.000	4.000
2	9/16"	0.563	12	Inch	0.550	0.561	0.502	0.507	0.459	0.000	0.197
				mm	13.957	14.247	12.741	12.873	11.651	0.000	5.000
3	5/8"	0.625	11	Inch	0.611	0.623	0.559	0.564	0.512	0.000	0.197
				mm	15.527	15.834	14.196	14.336	13.002	0.000	5.000
4	3/4"	0.750	10	Inch	0.735	0.748	0.677	0.683	0.626	0.000	0.197
				mm	18.677	19.004	17.203	17.353	15.888	0.000	5.000
5	7/8"	0.875	9	Inch	0.859	0.873	0.795	0.801	0.737	0.000	0.197
				mm	21.824	22.177	20.183	20.343	18.715	0.000	5.000
6	1"	1.000	8	Inch	0.983	0.998	0.910	0.917	0.845	0.000	0.236
				mm	24.968	25.349	23.114	23.287	21.453	0.000	6.000
7	1-1/8"	1.125	8	Inch	1.079	1.123	1.035	1.042	0.970	0.000	0.236
				mm	27.407	28.522	26.284	26.459	24.625	0.000	6.000
8	1-1/4"	1.250	8	Inch	1.233	1.248	1.160	1.167	1.095	0.000	0.276
				mm	31.316	31.697	29.456	29.634	27.800	0.000	7.000
9	1-3/8"	1.375	8	Inch	1.358	1.373	1.284	1.292	1.219	0.000	0.276
				mm	34.488	34.869	32.624	32.807	30.973	0.000	7.000
10	1-1/2"	1.500	8	Inch	1.483	1.498	1.409	1.417	1.344	0.000	0.315
				mm	37.663	38.044	35.796	35.982	34.148	0.000	8.000
11	1-5/8"	1.625	8	Inch	1.608	1.623	1.534	1.542	1.469	0.000	0.354
				mm	40.838	41.219	38.969	39.157	37.323	0.000	9.000
12	1-3/4"	1.750	8	Inch	1.733	1.748	1.659	1.667	1.594	0.000	0.354
				mm	44.011	44.392	42.139	42.329	40.495	0.000	9.000
13	1-7/8"	1.875	8	Inch	1.858	1.873	1.784	1.792	1.719	0.000	0.394
				mm	47.186	47.567	45.309	45.504	43.670	0.000	10.000
14	2"	2.000	8	Inch	1.983	1.998	1.909	1.917	1.844	0.000	0.394
				mm	50.361	50.742	48.481	48.679	46.845	0.000	10.000
15	2-1/4"	2.250	8	Inch	2.233	2.248	2.158	2.166	2.094	0.000	0.433
				mm	56.708	57.089	54.823	55.027	53.193	0.000	11.000
16	2-1/2"	2.500	8	Inch	2.483	2.498	2.408	2.416	2.344	0.000	0.472
				mm	63.058	63.439	61.168	61.366	59.543	0.000	12.000
17	2-3/4"	2.750	8	Inch	2.733	2.748	2.658	2.666	2.594	0.000	0.512
				mm	69.406	69.787	67.513	67.724	65.890	0.000	13.000
18	3"	3.000	8	Inch	2.982	2.997	2.908	2.916	2.844	0.000	0.591
				mm	75.753	76.134	73.856	74.071	72.238	0.000	15.000