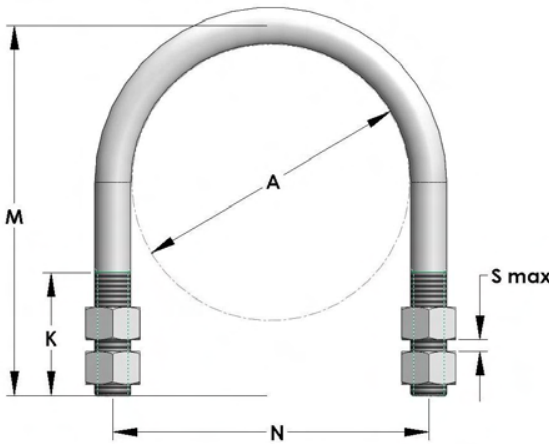


KAPIL ENTERPRISES



U Bolt	Carbon Steel	Stainless Steel
Nuts		
Surface Finish		
U Bolt	Hot Dipped Galvanised (refer to General Notes)	Mill/Plain
Nuts		

General Notes

- Item supplied with 4 hex nuts.
- Maximum Loads for Lateral Loads only.
- M8 - Carbon Steel U-bolts supplied in a Zinc Plated finish.
- Please refer to page 3 for material standards and specifications.

Pipe Size		Description	Thread Size	Centres (N)	(M)	Thread Length (K)	S (MAX)	Max. Load up to 340°C	Item Weight	Part No.	
Nominal Size	Outside Diameter (A)									Carbon Steel	Stainless Steel
NB	mm										
15	21.3	15NB U-Bolt Clamp	M8	30	50	25	7	0.68	0.07	181001	181030
20	26.7	20NB U-Bolt Clamp	M8	35	60	25	10	0.54	0.08	181002	181031
25	33.4	25NB U-Bolt Clamp	M8	45	65	25	10	0.43	0.08	181003	181032
32	42.2	32NB U-Bolt Clamp	M8	55	75	25	10	0.34	0.09	181004	181033
40	48.3	40NB U-Bolt Clamp	M10	60	90	35	16	0.60	0.18	181005	181034
50	60.3	50NB U-Bolt Clamp	M10	75	100	35	16	0.48	0.20	181006	181035
65	76.1	65NB U-Bolt Clamp	M12	90	130	45	19	0.70	0.34	181007	181036
80	88.9	80NB U-Bolt Clamp	M16	105	150	50	19	1.50	0.70	181008	181037
100	114.3	100NB U-Bolt Clamp	M16	135	175	50	19	1.17	0.81	181009	181038
125	141.3	125NB U-Bolt Clamp	M16	160	200	50	19	0.94	0.91	181010	181039
150	168.3	150NB U-Bolt Clamp	M20	190	235	55	19	1.52	1.69	181011	181040
175	193.7	175NB U-Bolt Clamp	M20	215	270	55	19	1.32	1.85	181012	181041
200	219.1	200NB U-Bolt Clamp	M20	245	295	55	19	1.17	2.07	181013	181042
225	244.5	225NB U-Bolt Clamp	M20	266	315	60	19	1.05	2.18	181014	181043
250	273.0	250NB U-Bolt Clamp	M20	300	350	60	22	0.94	2.43	181015	181044
300	323.9	300NB U-Bolt Clamp	M20	350	400	60	22	0.79	2.75	181016	181045
350	355.6	350NB U-Bolt Clamp	M24	385	440	65	22	1.25	4.38	181017	181046
400	406.4	400NB U-Bolt Clamp	M24	435	500	65	22	1.09	4.92	181018	181047
450	457.2	450NB U-Bolt Clamp	M24	485	540	70	22	0.97	5.32	181019	181048
500	508.0	500NB U-Bolt Clamp	M24	540	600	70	22	0.87	5.87	181020	181049
550	559.0	550NB U-Bolt Clamp	M24	584	650	70	22	0.73	6.34	181021	181050
600	609.6	600NB U-Bolt Clamp	M24	640	700	70	22	0.67	6.81	181022	181051
650	660.4	650NB U-Bolt Clamp	M24	690	740	70	24	0.62	7.20	181023	181052
700	711.2	700NB U-Bolt Clamp	M30	750	810	80	24	1.18	12.49	181024	181053
750	762	750NB U-Bolt Clamp	M30	800	860	80	24	1.10	13.22	181025	181054
800	812.8	800NB U-Bolt Clamp	M30	850	910	80	24	1.04	13.95	181026	181055
850	863.6	850NB U-Bolt Clamp	M30	900	960	80	24	0.98	14.68	181027	181056
900	914.4	900NB U-Bolt Clamp	M30	950	1010	80	24	0.93	15.41	181028	181057
1000	1016.0	1000NB U-Bolt Clamp	M30	1050	1060	80	24	1.56	24.94	181029	181058