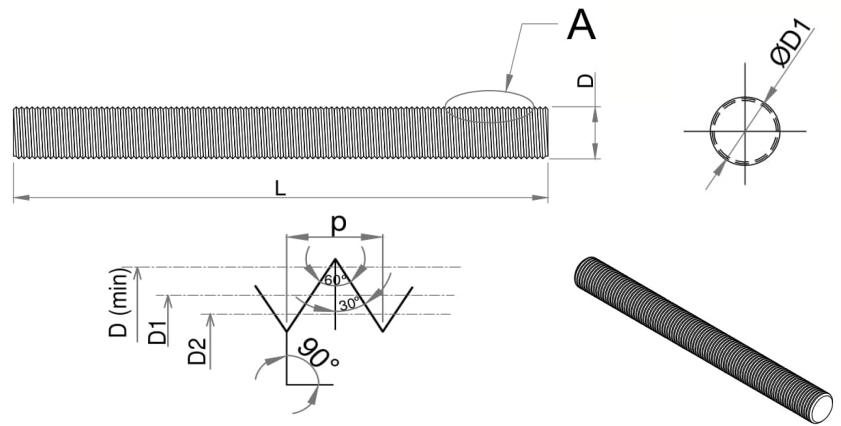


Stud Bolt – DIN 976

Metric Series – Dimensions

Notes:-

1. The Stud Bolt will be according to DIN 976.
2. Threads will be F.T & conform to Class 6g.
3. Material High grade carbon/alloy steel & stainless steel.
4. Heat Treatment Property Grade 8.8, 10.9 & 12.9.
5. Coating & Marking will be done as per requirement.
6. Tolerance of Total Length of Stud Bolt is $-0.0/+3.0$ mm In required length.
7. Chemical & Mechanical Properties as per relevant standard.



'A' Enlarge View

S. No.	Size	Pitch (p)	Major Diameter (D)		Pitch Diameter (D1)		Minor Diameter (D2)	Chamfer (b)	
			Min.	Min.	Min.	Max.	Min.	Min.	Max.
		MM							
1	M-12	1.75	11.70	11.97	10.70	10.80	10.07	0.00	3.50
2	M-16	2.00	15.68	15.96	14.50	14.60	13.80	0.00	4.00
3	M-18	2.50	17.62	17.96	16.15	16.25	15.25	0.00	5.00
4	M-20	2.50	19.62	19.96	18.15	18.25	17.25	0.00	5.00
5	M-22	2.50	21.62	21.96	20.15	20.25	19.25	0.00	5.00
6	M-24	3.00	23.58	23.95	21.80	21.90	20.74	0.00	6.00
7	M-27	3.00	26.58	26.95	24.80	24.90	23.70	0.00	6.00
8	M30	3.50	29.52	29.95	27.50	27.60	26.16	0.00	7.00
9	M-33	3.50	32.52	32.95	30.45	30.55	29.16	0.00	7.00
10	M-36	4.00	35.46	35.94	33.15	33.25	31.61	0.00	8.00
11	M-39	4.00	38.46	38.94	36.20	36.30	34.61	0.00	8.00
12	M-42	4.50	41.44	41.94	38.80	38.90	37.07	0.00	9.00
13	M-45	4.50	44.44	44.94	41.80	41.90	40.07	0.00	9.00
14	M-48	5.00	47.40	47.93	44.50	44.60	42.52	0.00	10.00
15	M-52	5.00	51.40	51.93	48.50	48.60	46.52	0.00	10.00
16	M-56	5.50	55.36	55.92	52.10	52.20	49.97	0.00	11.00
17	M-60	5.50	59.36	59.92	57.85	57.95	53.97	0.00	11.00
18	M-64	6.00	63.32	63.92	59.80	59.90	57.42	0.00	12.00