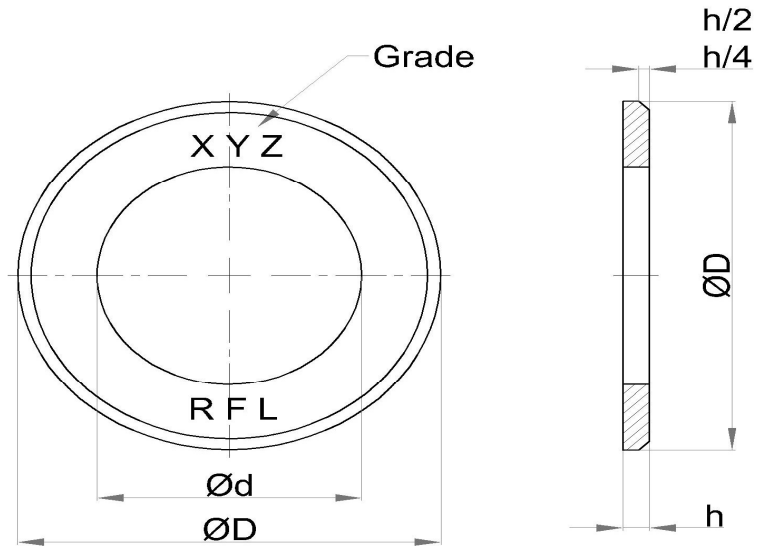


Chamfered Washer – DIN EN ISO 7090

Metric Series – Dimensions

Notes:-

1. The Washer will be according to ISO 7089 (DIN 125).
2. Material High grade carbon/alloy steel, Mild steel & stainless steel.
3. Heat Treatment: Property Class 8 or 10 .
4. Hardness According to 100 HV, 200HV, 300 HV or more as per requirement.
5. Coating & Marking will be done as per requirement.
6. All dimensions are in millimetres.



S. No.	Size	Outside diameter (D)		Inside Diameter (d)		Thickness (h)		Chamfer (e)		Weight Kg/1000
		Min.	Max.	Min.	Max.	Min.	Max.	Min.	Max.	
1	M-16	29.48	30.00	17.00	17.27	2.70	3.30	0.75	1.50	11.30
2	M-18	33.38	34.00	19.00	19.33	2.70	3.30	0.75	1.50	14.70
3	M-20	36.38	37.00	21.00	21.33	2.70	3.30	0.75	1.50	17.16
4	M-22	38.38	39.00	23.00	23.33	2.70	3.30	0.75	1.50	18.35
5	M-24	43.38	44.00	25.00	25.33	3.70	4.30	0.75	1.50	32.33
6	M-27	49.38	50.00	28.00	28.33	3.70	4.30	0.75	1.50	42.33
7	M30	55.26	56.00	31.00	31.39	3.70	4.30	0.75	1.50	53.64
8	M-33	58.80	60.00	34.00	34.62	4.40	5.60	1.25	2.50	75.34
9	M-36	64.80	66.00	37.00	37.62	4.40	5.60	1.25	2.50	92.08
10	M-39	70.8	72.00	42.00	42.62	5.40	6.60	1.50	3.00	126.51
11	M-42	76.80	78.00	45.00	45.62	7.00	9.00	2.00	4.00	200.20
12	M-45	83.60	85.00	48.00	48.62	7.00	9.00	2.00	4.00	242.71
13	M-48	90.60	92.00	52.00	52.74	7.00	9.00	2.00	4.00	284.09
14	M-52	96.60	98.00	56.00	56.74	7.00	9.00	2.00	4.00	319.01
15	M-56	103.60	105.00	62.00	62.74	9.00	11.00	2.50	5.00	442.72
16	M-60	108.60	110.00	66.00	66.74	9.00	11.00	2.50	5.00	477.43
17	M-64	113.60	115.00	70.00	70.74	9.00	11.00	2.50	5.00	513.25

www.roll-fast.com

www.bigboltnut.com

Contact us –

330 EHTP, HSSI IDC, Kundli Industrial Estate
Sonepat, Haryana-131028, Ph : 9811009061
Email:- sales@bigboltnut.com, kapil@roll-fast.com