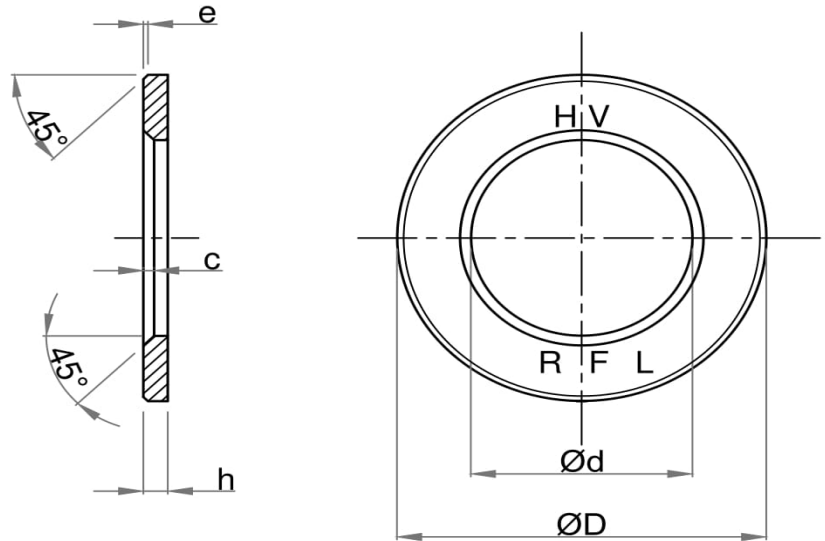


Round Washer – ISO 6916

Metric Series – Dimensions

Notes:-

1. The Washer will be according to ISO 6916.
2. Material High grade carbon/alloy steel & stainless steel.
3. Heat Treatment: Property Class 10 .
4. Hardness According to 300 HV.
5. Coating & Marking will be done as per requirement.
6. All dimensions are in millimetres.



S. No.	Size	Outside diameter (D)		Inside Diameter (d)		Thickness (h)		c		e		Weight Kg/100 0
		Min.	Max.	Min.	Max.	Min.	Max.	Min.	Max.	Min.	Max.	
1	M-16	29.48	30.00	17.00	17.27	3.70	4.30	1.60	1.90	1.00	2.00	14.60
2	M-18	33.38	34.00	19.00	19.33	3.70	4.30	1.60	1.90	1.00	2.00	17.10
3	M-20	36.38	37.00	21.00	21.33	3.70	4.30	2.00	2.50	1.00	2.00	19.60
4	M-22	38.38	39.00	23.00	23.33	3.70	4.30	2.00	2.50	1.00	2.00	24.30
5	M-24	43.38	44.00	25.00	25.33	3.70	4.30	2.00	2.50	1.00	2.00	30.60
6	M-27	49.00	50.00	28.00	28.52	4.40	5.60	2.50	3.00	1.00	2.00	50.20
7	M30	54.80	56.00	31.00	31.62	4.40	5.60	2.50	3.00	1.00	2.00	63.20
8	M-33	58.80	60.00	34.00	34.62	4.40	5.60	2.50	3.00	1.00	2.00	85.20
9	M-36	64.80	66.00	37.00	37.62	5.40	6.60	3.00	3.50	1.25	2.50	115.00
10	M-39	70.80	72.00	40.40	41.02	5.40	6.60	3.00	3.50	1.25	2.50	130.50
11	M-42	76.80	78.00	43.40	44.02	6.80	9.20	3.00	3.50	1.50	3.00	207.10
12	M-45	83.60	85.00	46.40	47.02	6.80	9.20	3.40	4.00	1.50	3.00	250.15
13	M-48	90.60	92.00	49.40	50.02	6.80	9.20	3.40	4.00	1.50	3.00	294.17
15	M-56	103.60	105.00	58.00	58.74	8.80	11.20	4.00	4.50	2.00	4.00	472.14
16	M-64	113.60	115.00	66.00	66.74	8.80	11.20	4.50	5.00	2.00	4.00	547.20