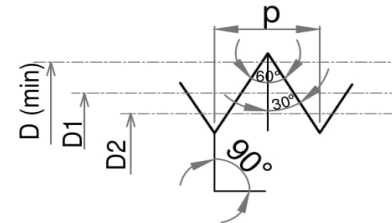
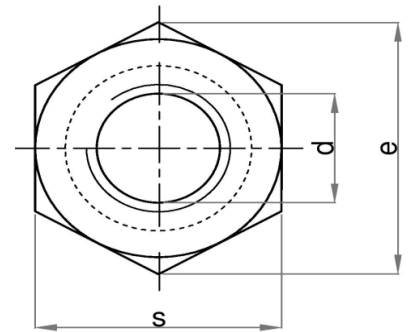
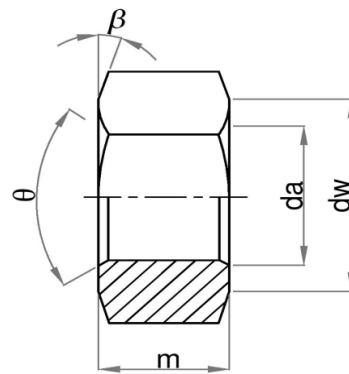


Hexagon Nut – DIN EN 14399-4 (Nut)

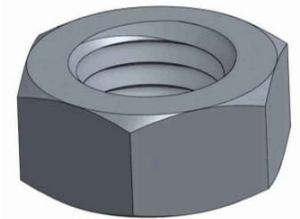
Metric Series – Dimensions

Notes:-

1. The Nut will be according to ISO 14399-4.
2. Threads will conform to Class 6H of DIN 13-15.
3. Material High grade carbon/alloy steel & stainless steel.
4. Heat Treatment: Property Class 10 .
5. Coating & Marking will be done as per requirement.
6. $\beta = 15^\circ$ to 30° , $\theta = 90^\circ$ to 120°
7. All dimensions are in millimetres.



'A' Enlarge View



S. No.	Size	Pitch (p)	Width across corner (e)			Width across Flat (s)		Thickness (m)		Minor diameter (Bore) (d)		
			Min.	Max.	Min.	Max.	Min.	Max.	Min.	Max.		
		mm	Min.	Max.	Min.	Max.	Min.	Max.	Min.	Max.	Min.	Max.
1	M-16	2.0	29.56	26.16	27.00	12.30	13.00	16.00	17.30	25.00	12.10	12.20
2	M-20	2.5	35.03	31.00	32.00	14.90	16.00	18.00	19.50	30.00	17.60	17.70
3	M-22	2.5	39.55	35.00	36.00	16.90	18.00	20.00	21.60	34.00	19.60	19.70
4	M-24	3.0	45.20	40.00	41.00	18.70	20.00	22.00	23.70	39.00	20.70	20.80
5	M-27	3.0	50.85	45.00	46.00	20.70	22.00	24.00	25.90	43.50	23.80	23.90
6	M-30	3.5	55.37	49.00	50.00	22.70	24.00	27.00	29.10	47.50	26.50	26.60
7	M-36	4.0	66.44	58.80	60.00	27.70	29.00	30.00	32.40	57.00	32.30	32.40
8	M-39	4.0	71.30	63.10	65.00	29.40	31.00	33.00	35.60	60.00	35.10	35.20
9	M-42	4.5	76.95	68.10	70.00	32.40	34.00	36.00	38.90	64.70	37.70	37.80
10	M-45	4.5	82.60	73.10	75.00	34.40	36.00	39.00	42.10	69.50	40.90	41.00
11	M-48	5.0	88.25	78.10	80.00	36.40	38.00	42.00	45.40	74.20	43.10	43.20
12	M-56	5.5	99.20	87.80	90.00	43.40	45.00	45.00	48.60	83.40	50.80	50.90
13	M-64	6.0	110.50	97.80	100.00	49.10	51.00	48.00	51.80	92.90	57.80	57.90