

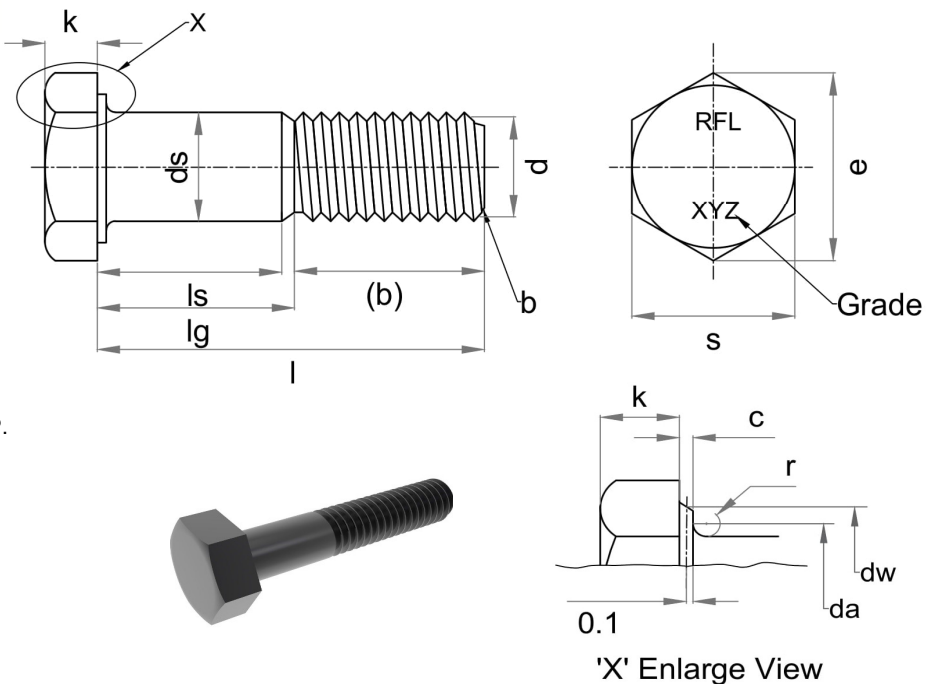


Hexagon Bolt – DIN EN 14399-4 (Bolt)

Metric Series – Dimensions

Notes:-

1. The Bolt will be according to DIN EN 14399-4 (Bolt).
2. Threads will conform to Class 6g of ISO 261 & ISO 965-2.
3. Material High grade carbon/ alloy steel & stainless steel According to ISO 898-1.
4. Heat Treatment: Property Class 8 or 10.
5. $\beta=15^\circ$ to 30° .
6. In Hot Dip Galvanizing Diameters will be reduced 0.3 mm.
7. The difference between l_s and l_g should not be less than $1.5P$.
8. Incomplete thread $u = \leq 2P$.
9. Reference datum for d_w .
10. Maximum under head fillet.
11. Chamfer (b) is Double of Pitch ($b = 2P$).
12. All dimensions are in millimetres.



| S. No. | Size | Pitch (p) | Width across corner (e) | | Width across Flat (s) | | Thickness (k) | | da | dw | Shank diameter (ds) | | Radiou s (r) | Washer height (c) | | | Major Diameter (D) | | Pitch Diameter (D1) | | Minor Diameter (D2) |
|--------|------|-----------|-------------------------|-------|-----------------------|-------|---------------|-------|-------|-------|---------------------|------|----------------|-------------------|-------|-------|--------------------|-------|---------------------|------|---------------------|
| | | | Min. | Max. | Min. | Max. | Min. | Max. | | | Min. | Max. | | Min. | Max. | Min. | Max. | Min. | Max. | Min. | |
| 1 | M-16 | 2.00 | 29.56 | 26.16 | 27.00 | 9.25 | 10.75 | 19.20 | 24.90 | 15.30 | 16.70 | 1.20 | 0.40 | 0.60 | 15.68 | 15.96 | 14.50 | 14.60 | 13.80 | | |
| 3 | M-20 | 2.50 | 35.03 | 31.00 | 32.00 | 12.10 | 13.90 | 24.00 | 29.50 | 19.16 | 20.84 | 1.50 | 0.40 | 0.80 | 19.62 | 19.96 | 18.15 | 18.25 | 17.25 | | |
| 4 | M-22 | 2.50 | 39.55 | 35.00 | 36.00 | 13.10 | 14.10 | 26.00 | 33.30 | 21.16 | 22.84 | 1.50 | 0.40 | 0.80 | 21.62 | 21.96 | 20.15 | 20.25 | 19.25 | | |
| 5 | M-24 | 3.00 | 45.20 | 40.00 | 41.00 | 14.10 | 15.90 | 28.00 | 38.00 | 23.16 | 24.84 | 1.50 | 0.40 | 0.80 | 23.58 | 23.95 | 21.80 | 21.90 | 20.74 | | |
| 6 | M-27 | 3.00 | 50.85 | 45.00 | 46.00 | 16.10 | 17.90 | 32.00 | 42.80 | 26.16 | 27.84 | 2.00 | 0.40 | 0.80 | 26.58 | 26.95 | 24.80 | 24.90 | 23.70 | | |
| 7 | M30 | 3.50 | 55.37 | 49.00 | 50.00 | 17.95 | 20.05 | 35.00 | 46.60 | 29.16 | 30.84 | 2.00 | 0.40 | 0.80 | 29.52 | 29.95 | 27.50 | 27.60 | 26.16 | | |
| 9 | M-36 | 4.00 | 66.44 | 58.80 | 60.00 | 21.95 | 24.05 | 41.00 | 55.90 | 35.00 | 37.00 | 2.00 | 0.40 | 0.80 | 35.46 | 35.94 | 33.15 | 33.25 | 31.61 | | |
| 10 | M-39 | 4.00 | 71.30 | 63.10 | 65.00 | 23.95 | 26.05 | 45.00 | 60.00 | 38.00 | 40.00 | 2.50 | 0.50 | 1.00 | 38.46 | 38.94 | 36.20 | 36.30 | 34.61 | | |
| 11 | M-42 | 4.50 | 76.95 | 68.10 | 70.00 | 24.95 | 27.05 | 48.00 | 64.70 | 41.00 | 43.00 | 2.50 | 0.50 | 1.00 | 41.44 | 41.94 | 38.80 | 38.90 | 37.07 | | |
| 12 | M-45 | 4.50 | 82.60 | 73.10 | 75.00 | 26.95 | 29.05 | 52.00 | 69.45 | 44.00 | 46.00 | 3.00 | 0.50 | 1.00 | 44.44 | 44.94 | 41.80 | 41.90 | 40.07 | | |
| 13 | M-48 | 5.00 | 88.25 | 78.10 | 80.00 | 28.95 | 31.05 | 55.00 | 74.20 | 47.00 | 49.00 | 3.00 | 0.50 | 1.00 | 47.40 | 47.93 | 44.50 | 44.60 | 42.52 | | |
| 15 | M-56 | 5.50 | 99.20 | 87.80 | 90.00 | 33.75 | 36.25 | 64.20 | 83.40 | 54.80 | 57.20 | 3.50 | 0.50 | 1.00 | 55.36 | 55.92 | 52.10 | 52.20 | 49.97 | | |
| 17 | M-64 | 6.00 | 110.50 | 97.80 | 100.00 | 38.75 | 41.25 | 73.20 | 92.90 | 62.80 | 65.20 | 4.00 | 0.50 | 1.00 | 63.32 | 63.92 | 59.80 | 59.90 | 57.42 | | |

Hexagon Bolt – DIN EN 14399-4 (Bolt)

| L | Total Length | | M-16 | | M-16 thread length | | M-20 | | M-20 thread length | | M-22 | | M-22 thread length | | M-24 | | M-24 thread length | | M-27 | | M-27 thread length | | M-30 | | M-30 thread length | | M-36 | |
|--------|--------------|--------|--------|--------|--------------------|-------|--------|--------|--------------------|-------|--------|--------|--------------------|-------|--------|--------|--------------------|-------|--------|--------|--------------------|-------|--------|--------|--------------------|-------|--------|--------|
| | Min. | Max. | LS | Lg | Min | Max | LS | Lg | Min | Max | LS | Lg | Min | Max | LS | Lg | Min | Max | LS | Lg | Min | Max | LS | Lg | Min | Max | LS | Lg |
| | | | min. | max. | | | | | min. | max. | | | min. | max. | | | min. | max. | | | min. | max. | min. | max. | | | min. | max. |
| 70.00 | 68.50 | 71.50 | 36.00 | 42.00 | 28.00 | 29.00 | 29.50 | 37.00 | 33.00 | 35.50 | 28.50 | 36.00 | 34.00 | 36.50 | 22.00 | 31.00 | 39.00 | 43.00 | 20.00 | 29.00 | 41.00 | 45.00 | 15.50 | 26.00 | 44.00 | 49.50 | 16.00 | 28.00 |
| 80.00 | 78.50 | 81.50 | 46.00 | 52.00 | 28.00 | 29.00 | 39.50 | 47.00 | 33.00 | 35.50 | 38.50 | 46.00 | 34.00 | 36.50 | 32.00 | 41.00 | 39.00 | 43.00 | 30.00 | 39.00 | 41.00 | 45.00 | 25.50 | 36.00 | 44.00 | 49.50 | 16.00 | 28.00 |
| 90.00 | 88.25 | 91.75 | 56.00 | 62.00 | 28.00 | 29.00 | 49.50 | 57.00 | 33.00 | 35.50 | 48.50 | 56.00 | 34.00 | 36.50 | 42.00 | 51.00 | 39.00 | 43.00 | 40.00 | 49.00 | 41.00 | 45.00 | 35.50 | 46.00 | 44.00 | 49.50 | 26.00 | 38.00 |
| 100.00 | 98.25 | 101.75 | 66.00 | 72.00 | 28.00 | 29.00 | 59.50 | 67.00 | 33.00 | 35.50 | 58.50 | 66.00 | 34.00 | 36.50 | 52.00 | 61.00 | 39.00 | 43.00 | 50.00 | 59.00 | 41.00 | 45.00 | 45.50 | 56.00 | 44.00 | 49.50 | 36.00 | 48.00 |
| 110.00 | 108.25 | 111.75 | 76.00 | 82.00 | 28.00 | 29.00 | 69.50 | 77.00 | 33.00 | 35.50 | 68.50 | 76.00 | 34.00 | 36.50 | 62.00 | 71.00 | 39.00 | 43.00 | 60.00 | 69.00 | 41.00 | 45.00 | 55.50 | 66.00 | 44.00 | 49.50 | 46.00 | 58.00 |
| 120.00 | 118.25 | 121.75 | 86.00 | 92.00 | 28.00 | 29.00 | 79.50 | 87.00 | 33.00 | 35.50 | 78.50 | 86.00 | 34.00 | 36.50 | 72.00 | 81.00 | 39.00 | 43.00 | 70.00 | 79.00 | 41.00 | 45.00 | 65.50 | 76.00 | 44.00 | 49.50 | 56.00 | 68.00 |
| 130.00 | 128.00 | 132.00 | 96.00 | 102.00 | 28.00 | 29.00 | 89.50 | 97.00 | 33.00 | 35.50 | 88.50 | 96.00 | 34.00 | 36.50 | 82.00 | 91.00 | 39.00 | 43.00 | 80.00 | 89.00 | 41.00 | 45.00 | 75.50 | 86.00 | 44.00 | 49.50 | 66.00 | 78.00 |
| 140.00 | 138.00 | 142.00 | 106.00 | 112.00 | 28.00 | 29.00 | 99.50 | 107.00 | 33.00 | 35.50 | 98.50 | 106.00 | 34.00 | 36.50 | 92.00 | 101.00 | 39.00 | 43.00 | 90.00 | 99.00 | 41.00 | 45.00 | 85.50 | 96.00 | 44.00 | 49.50 | 76.00 | 88.00 |
| 150.00 | 148.00 | 152.00 | 116.00 | 122.00 | 28.00 | 29.00 | 109.50 | 117.00 | 33.00 | 35.50 | 108.50 | 116.00 | 34.00 | 36.50 | 102.00 | 111.00 | 39.00 | 43.00 | 100.00 | 109.00 | 41.00 | 45.00 | 95.50 | 106.00 | 44.00 | 49.50 | 86.00 | 98.00 |
| 160.00 | 158.00 | 162.00 | 126.00 | 132.00 | 28.00 | 29.00 | 119.50 | 127.00 | 33.00 | 35.50 | 118.50 | 126.00 | 34.00 | 36.50 | 112.00 | 121.00 | 39.00 | 43.00 | 110.00 | 119.00 | 41.00 | 45.00 | 105.50 | 116.00 | 44.00 | 49.50 | 96.00 | 108.00 |
| 170.00 | 168.00 | 172.00 | 136.00 | 142.00 | 28.00 | 29.00 | 129.50 | 137.00 | 33.00 | 35.50 | 128.50 | 136.00 | 34.00 | 36.50 | 122.00 | 131.00 | 39.00 | 43.00 | 120.00 | 129.00 | 41.00 | 45.00 | 115.50 | 126.00 | 44.00 | 49.50 | 106.00 | 118.00 |
| 180.00 | 178.00 | 182.00 | 146.00 | 152.00 | 28.00 | 29.00 | 139.50 | 147.00 | 33.00 | 35.50 | 138.50 | 146.00 | 34.00 | 36.50 | 132.00 | 141.00 | 39.00 | 43.00 | 130.00 | 139.00 | 41.00 | 45.00 | 125.50 | 136.00 | 44.00 | 49.50 | 116.00 | 128.00 |
| 190.00 | 188.00 | 192.00 | 156.00 | 162.00 | 28.00 | 29.00 | 149.50 | 157.00 | 33.00 | 35.50 | 148.50 | 156.00 | 34.00 | 36.50 | 142.00 | 151.00 | 39.00 | 43.00 | 140.00 | 149.00 | 41.00 | 45.00 | 135.50 | 146.00 | 44.00 | 49.50 | 126.00 | 138.00 |
| 200.00 | 197.70 | 202.30 | 166.00 | 172.00 | 28.00 | 29.00 | 159.50 | 167.00 | 33.00 | 35.50 | 158.50 | 166.00 | 34.00 | 36.50 | 152.00 | 161.00 | 39.00 | 43.00 | 150.00 | 159.00 | 41.00 | 45.00 | 145.50 | 156.00 | 44.00 | 49.50 | 136.00 | 148.00 |
| 210.00 | 207.70 | 212.30 | 176.00 | 182.00 | 28.00 | 29.00 | 169.50 | 177.00 | 33.00 | 35.50 | 168.50 | 176.00 | 34.00 | 36.50 | 162.00 | 171.00 | 39.00 | 43.00 | 160.00 | 169.00 | 41.00 | 45.00 | 155.50 | 166.00 | 44.00 | 49.50 | 146.00 | 158.00 |
| 220.00 | 217.70 | 222.30 | 186.00 | 192.00 | 28.00 | 29.00 | 179.50 | 187.00 | 33.00 | 35.50 | 178.50 | 186.00 | 34.00 | 36.50 | 172.00 | 181.00 | 39.00 | 43.00 | 170.00 | 179.00 | 41.00 | 45.00 | 165.50 | 176.00 | 44.00 | 49.50 | 156.00 | 168.00 |
| 230.00 | 227.70 | 232.30 | 196.00 | 202.00 | 28.00 | 29.00 | 189.50 | 197.00 | 33.00 | 35.50 | 188.50 | 196.00 | 34.00 | 36.50 | 182.00 | 191.00 | 39.00 | 43.00 | 180.00 | 189.00 | 41.00 | 45.00 | 175.50 | 186.00 | 44.00 | 49.50 | 166.00 | 178.00 |
| 240.00 | 237.70 | 242.30 | 206.00 | 212.00 | 28.00 | 29.00 | 199.50 | 207.00 | 33.00 | 35.50 | 198.50 | 206.00 | 34.00 | 36.50 | 192.00 | 201.00 | 39.00 | 43.00 | 190.00 | 199.00 | 41.00 | 45.00 | 185.50 | 196.00 | 44.00 | 49.50 | 176.00 | 188.00 |
| 250.00 | 247.70 | 252.30 | 216.00 | 222.00 | 28.00 | 29.00 | 209.50 | 217.00 | 33.00 | 35.50 | 208.50 | 216.00 | 34.00 | 36.50 | 202.00 | 211.00 | 39.00 | 43.00 | 200.00 | 209.00 | 41.00 | 45.00 | 195.50 | 206.00 | 44.00 | 49.50 | 186.00 | 198.00 |
| 260.00 | 257.40 | 262.60 | 226.00 | 232.00 | 28.00 | 29.00 | 219.50 | 227.00 | 33.00 | 35.50 | 218.50 | 226.00 | 34.00 | 36.50 | 212.00 | 221.00 | 39.00 | 43.00 | 210.00 | 219.00 | 41.00 | 45.00 | 205.50 | 216.00 | 44.00 | 49.50 | 196.00 | 208.00 |
| 270.00 | 267.40 | 272.60 | 236.00 | 242.00 | 28.00 | 29.00 | 229.50 | 237.00 | 33.00 | 35.50 | 228.50 | 236.00 | 34.00 | 36.50 | 222.00 | 231.00 | 39.00 | 43.00 | 220.00 | 229.00 | 41.00 | 45.00 | 215.50 | 226.00 | 44.00 | 49.50 | 206.00 | 218.00 |
| 280.00 | 277.40 | 282.60 | 246.00 | 252.00 | 28.00 | 29.00 | 239.50 | 247.00 | 33.00 | 35.50 | 238.50 | 246.00 | 34.00 | 36.50 | 232.00 | 241.00 | 39.00 | 43.00 | 230.00 | 239.00 | 41.00 | 45.00 | 225.50 | 236.00 | 44.00 | 49.50 | 216.00 | 228.00 |
| 290.00 | 287.40 | 292.60 | 256.00 | 262.00 | 28.00 | 29.00 | 249.50 | 257.00 | 33.00 | 35.50 | 248.50 | 256.00 | 34.00 | 36.50 | 242.00 | 251.00 | 39.00 | 43.00 | 240.00 | 249.00 | 41.00 | 45.00 | 235.50 | 246.00 | 44.00 | 49.50 | 226.00 | 238.00 |
| 300.00 | 297.40 | 302.60 | 266.00 | 272.00 | 28.00 | 29.00 | 259.50 | 267.00 | 33.00 | 35.50 | 258.50 | 266.00 | 34.00 | 36.50 | 252.00 | 261.00 | 39.00 | 43.00 | 250.00 | 259.00 | 41.00 | 45.00 | 245.50 | 256.00 | 44.00 | 49.50 | 236.00 | 248.00 |
| 310.00 | 307.40 | 312.60 | 276.00 | 282.00 | 28.00 | 29.00 | 269.50 | 277.00 | 33.00 | 35.50 | 268.50 | 276.00 | 34.00 | 36.50 | 262.00 | 271.00 | 39.00 | 43.00 | 260.00 | 269.00 | 41.00 | 45.00 | 255.50 | 266.00 | 44.00 | 49.50 | 246.00 | 258.00 |
| 320.00 | 317.15 | 322.85 | 286.00 | 292.00 | 28.00 | 29.00 | 279.50 | 287.00 | 33.00 | 35.50 | 278.50 | 286.00 | 34.00 | 36.50 | 272.00 | 281.00 | 39.00 | 43.00 | 270.00 | 279.00 | 41.00 | 45.00 | 265.50 | 276.00 | 44.00 | 49.50 | 256.00 | 268.00 |
| 330.00 | 327.15 | 332.85 | 296.00 | 302.00 | 28.00 | 29.00 | 289.50 | 297.00 | 33.00 | 35.50 | 288.50 | 296.00 | 34.00 | 36.50 | 282.00 | 291.00 | 39.00 | 43.00 | 280.00 | 289.00 | 41.00 | 45.00 | 275.50 | 286.00 | 44.00 | 49.50 | 266.00 | 278.00 |
| 340.00 | 337.15 | 342.85 | 306.00 | 312.00 | 28.00 | 29.00 | 299.50 | 307.00 | 33.00 | 35.50 | 298.50 | 306.00 | 34.00 | 36.50 | 292.00 | 301.00 | 39.00 | 43.00 | 290.00 | 299.00 | 41.00 | 45.00 | 285.50 | 296.00 | 44.00 | 49.50 | 276.00 | 288.00 |
| 350.00 | 347.15 | 352.85 | 316.00 | 322.00 | 28.00 | 29.00 | 309.50 | 317.00 | 33.00 | 35.50 | 308.50 | 316.00 | 34.00 | 36.50 | 302.00 | 311.00 | 39.00 | 43.00 | 300.00 | 309.00 | 41.00 | 45.00 | 295.50 | 306.00 | 44.00 | 49.50 | 286.00 | 298.00 |
| 360.00 | 357.15 | 362.85 | 326.00 | 332.00 | 28.00 | 29.00 | 319.50 | 327.00 | 33.00 | 35.50 | 318.50 | 326.00 | 34.00 | 36.50 | 312.00 | 321.00 | 39.00 | 43.00 | 310.00 | 319.00 | 41.00 | 45.00 | 305.50 | 316.00 | 44.00 | 49.50 | 296.00 | 308.00 |
| 370.00 | 367.15 | 372.85 | 336.00 | 342.00 | 28.00 | 29.00 | 329.50 | 337.00 | 33.00 | 35.50 | 328.50 | 336.00 | 34.00 | 36.50 | 322.00 | 331.00 | 39.00 | 43.00 | 320.00 | 329.00 | 41.00 | 45.00 | 315.50 | 326.00 | 44.00 | 49.50 | 306.00 | 318.00 |
| 380.00 | 377.15 | 382.85 | 346.00 | 352.00 | 28.00 | 29.00 | 339.50 | 347.00 | 33.00 | 35.50 | 338.50 | 346.00 | 34.00 | 36.50 | 332.00 | 341.00 | 39.00 | 43.00 | 330.00 | 339.00 | 41.00 | 45.00 | 325.50 | 336.00 | 44.00 | 49.50 | 316.00 | 328.00 |
| 390.00 | 387.15 | 392.85 | 356.00 | 362.00 | 28.00 | 29.00 | 349.50 | 357.00 | 33.00 | 35.50 | 348.50 | 356.00 | 34.00 | 36.50 | 342.00 | 351.00 | 39.00 | 43.00 | 340.00 | 349.00 | 41.00 | 45.00 | 335.50 | 346.00 | 44.00 | 49.50 | 326.00 | 338.00 |
| 400.00 | 397.15 | 402.85 | 366.00 | 372.00 | 28.00 | 29.00 | 359.50 | 367.00 | 33.00 | 35.50 | 358.50 | 366.00 | 34.00 | 36.50 | 352.00 | 361.00 | 39.00 | 43.00 | 350.00 | 359.00 | 41.00 | 45.00 | 345.50 | 356.00 | 44.00 | 49.50 | 336.00 | 348.00 |
| 410.00 | 407.15 | 412.85 | 376.00 | 382.00 | 28.00 | 29.00 | 369.50 | 377.00 | 33.00 | 35.50 | 368.50 | 376.00 | 34.00 | 36.50 | 362.00 | 371.00 | 39.00 | 43.00 | 360.00 | 369.00 | 41.00 | 45.00 | 355.50 | 366.00 | 44.00 | 49.50 | 346.00 | 358.00 |
| 420.00 | 416.85 | 423.15 | 386.00 | 392.00 | 28.00 | 29.00 | 379.50 | 387.00 | 33.00 | 35.50 | 378.50 | 386.00 | 34.00 | 36.50 | 372.00 | 381.00 | 39.00 | 43.00 | 370.00 | 379.00 | 41.00 | 45.00 | 365.50 | 376.00 | 44.00 | 49.50 | 356.00 | 368.00 |
| 430.00 | 426.85 | 433.15 | 396.00 | 402.00 | 28.00 | 29.00 | 389.50 | 397.00 | 33.00 | 35.50 | 388.50 | 396.00 | 34.00 | 36.50 | 382.00 | 391.00 | 39.00 | 43.00 | 380.00 | 389.00 | 41.00 | 45.00 | 375.50 | 386.00 | 44.00 | 49.50 | 366.00 | 378.00 |
| 440.00 | 436.85 | 443.15 | 406.00 | 412.00 | 28.00 | | | | | | | | | | | | | | | | | | | | | | | |

Hexagon Bolt – DIN EN 14399-4 (Bolt)

| L | Total Length | | M-36 thread length | | M-39 | | M-39 thread length | | M-42 | | M-42 thread length | | M-45 | | M-42 thread length | | M-48 | | M-48 thread length | | M-56 | | M-56 thread length | | M-64 | | M-64 thread length | | | |
|----------------|--------------|--------|--------------------|-------|-------------|-------------|--------------------|-------|-------------|-------------|--------------------|-------|-------------|-------------|--------------------|-------|-------------|-------------|--------------------|-------|-------------|-------------|--------------------|--------|-------------|-------------|--------------------|--------|--|--|
| | Min. | Max. | Min | Max | Ls | Lg | Min | Max | Ls | Lg | Min | Max | Ls | Lg | Min | Max | Ls | Lg | Min | Max | Ls | Lg | Min | Max | Ls | Lg | Min | Max | | |
| Nominal length | | | | | <i>min.</i> | <i>max.</i> | | | <i>min.</i> | <i>max.</i> | | | <i>min.</i> | <i>max.</i> | | | <i>min.</i> | <i>max.</i> | | | <i>min.</i> | <i>max.</i> | | | <i>min.</i> | <i>max.</i> | | | | |
| 70.00 | 68.50 | 71.50 | | | | | | | | | | | | | | | | | | | | | | | | | | | | |
| 80.00 | 78.50 | 81.50 | 52.00 | 59.00 | | | | | | | | | | | | | | | | | | | | | | | | | | |
| 90.00 | 88.25 | 91.75 | 52.00 | 59.00 | | | | | | | | | | | | | | | | | | | | | | | | | | |
| 100.00 | 98.25 | 101.75 | 52.00 | 59.00 | | | | | | | | | | | | | | | | | | | | | | | | | | |
| 110.00 | 108.25 | 111.75 | 52.00 | 59.00 | 30.00 | 42.00 | 68.00 | 75.00 | | | | | | | | | | | | | | | | | | | | | | |
| 120.00 | 118.25 | 121.75 | 52.00 | 59.00 | 40.00 | 52.00 | 68.00 | 75.00 | 32.50 | 46.00 | 74.00 | 82.50 | 30.50 | 44.00 | 76.00 | 84.50 | | | | | | | | | | | | | | |
| 130.00 | 128.00 | 132.00 | 52.00 | 59.00 | 50.00 | 62.00 | 68.00 | 75.00 | 42.50 | 56.00 | 74.00 | 82.50 | 40.50 | 54.00 | 76.00 | 84.50 | 33.00 | 48.00 | 82.00 | 92.00 | | | | | | | | | | |
| 140.00 | 138.00 | 142.00 | 52.00 | 59.00 | 60.00 | 72.00 | 68.00 | 75.00 | 52.50 | 66.00 | 74.00 | 82.50 | 50.50 | 64.00 | 76.00 | 84.50 | 43.00 | 58.00 | 82.00 | 92.00 | 33.50 | 50.00 | 90.00 | 101.50 | | | | | | |
| 150.00 | 148.00 | 152.00 | 52.00 | 59.00 | 70.00 | 82.00 | 68.00 | 75.00 | 62.50 | 76.00 | 74.00 | 82.50 | 60.50 | 74.00 | 76.00 | 84.50 | 53.00 | 68.00 | 82.00 | 92.00 | 43.50 | 60.00 | 90.00 | 101.50 | 32.00 | 50.00 | 100.00 | 113.00 | | |
| 160.00 | 158.00 | 162.00 | 52.00 | 59.00 | 80.00 | 92.00 | 68.00 | 75.00 | 72.50 | 86.00 | 74.00 | 82.50 | 70.50 | 84.00 | 76.00 | 84.50 | 63.00 | 78.00 | 82.00 | 92.00 | 53.50 | 70.00 | 90.00 | 101.50 | 42.00 | 60.00 | 100.00 | 113.00 | | |
| 170.00 | 168.00 | 172.00 | 52.00 | 59.00 | 90.00 | 102.00 | 68.00 | 75.00 | 82.50 | 96.00 | 74.00 | 82.50 | 80.50 | 94.00 | 76.00 | 84.50 | 73.00 | 88.00 | 82.00 | 92.00 | 63.50 | 80.00 | 90.00 | 101.50 | 52.00 | 70.00 | 100.00 | 113.00 | | |
| 180.00 | 178.00 | 182.00 | 52.00 | 59.00 | 100.00 | 112.00 | 68.00 | 75.00 | 92.50 | 106.00 | 74.00 | 82.50 | 90.50 | 104.00 | 76.00 | 84.50 | 83.00 | 98.00 | 82.00 | 92.00 | 73.50 | 90.00 | 90.00 | 101.50 | 62.00 | 80.00 | 100.00 | 113.00 | | |
| 190.00 | 188.00 | 192.00 | 52.00 | 59.00 | 110.00 | 122.00 | 68.00 | 75.00 | 102.50 | 116.00 | 74.00 | 82.50 | 100.50 | 114.00 | 76.00 | 84.50 | 93.00 | 108.00 | 82.00 | 92.00 | 83.50 | 100.00 | 90.00 | 101.50 | 72.00 | 90.00 | 100.00 | 113.00 | | |
| 200.00 | 197.70 | 202.30 | 52.00 | 59.00 | 120.00 | 132.00 | 68.00 | 75.00 | 112.50 | 126.00 | 74.00 | 82.50 | 110.50 | 124.00 | 76.00 | 84.50 | 103.00 | 118.00 | 82.00 | 92.00 | 93.50 | 110.00 | 90.00 | 101.50 | 82.00 | 100.00 | 100.00 | 113.00 | | |
| 210.00 | 207.70 | 212.30 | 52.00 | 59.00 | 130.00 | 142.00 | 68.00 | 75.00 | 122.50 | 136.00 | 74.00 | 82.50 | 120.50 | 134.00 | 76.00 | 84.50 | 113.00 | 128.00 | 82.00 | 92.00 | 103.50 | 120.00 | 90.00 | 101.50 | 92.00 | 110.00 | 100.00 | 113.00 | | |
| 220.00 | 217.70 | 222.30 | 52.00 | 59.00 | 140.00 | 152.00 | 68.00 | 75.00 | 132.50 | 146.00 | 74.00 | 82.50 | 130.50 | 144.00 | 76.00 | 84.50 | 123.00 | 138.00 | 82.00 | 92.00 | 113.50 | 130.00 | 90.00 | 101.50 | 102.00 | 120.00 | 100.00 | 113.00 | | |
| 230.00 | 227.70 | 232.30 | 52.00 | 59.00 | 150.00 | 162.00 | 68.00 | 75.00 | 142.50 | 156.00 | 74.00 | 82.50 | 140.50 | 154.00 | 76.00 | 84.50 | 133.00 | 148.00 | 82.00 | 92.00 | 123.50 | 140.00 | 90.00 | 101.50 | 112.00 | 130.00 | 100.00 | 113.00 | | |
| 240.00 | 237.70 | 242.30 | 52.00 | 59.00 | 160.00 | 172.00 | 68.00 | 75.00 | 152.50 | 166.00 | 74.00 | 82.50 | 150.50 | 164.00 | 76.00 | 84.50 | 143.00 | 158.00 | 82.00 | 92.00 | 133.50 | 150.00 | 90.00 | 101.50 | 122.00 | 140.00 | 100.00 | 113.00 | | |
| 250.00 | 247.70 | 252.30 | 52.00 | 59.00 | 170.00 | 182.00 | 68.00 | 75.00 | 162.50 | 176.00 | 74.00 | 82.50 | 160.50 | 174.00 | 76.00 | 84.50 | 153.00 | 168.00 | 82.00 | 92.00 | 143.50 | 160.00 | 90.00 | 101.50 | 132.00 | 150.00 | 100.00 | 113.00 | | |
| 260.00 | 257.40 | 262.60 | 52.00 | 59.00 | 180.00 | 192.00 | 68.00 | 75.00 | 172.50 | 186.00 | 74.00 | 82.50 | 170.50 | 184.00 | 76.00 | 84.50 | 163.00 | 178.00 | 82.00 | 92.00 | 153.50 | 170.00 | 90.00 | 101.50 | 142.00 | 160.00 | 100.00 | 113.00 | | |
| 270.00 | 267.40 | 272.60 | 52.00 | 59.00 | 190.00 | 202.00 | 68.00 | 75.00 | 182.50 | 196.00 | 74.00 | 82.50 | 180.50 | 194.00 | 76.00 | 84.50 | 173.00 | 188.00 | 82.00 | 92.00 | 163.50 | 180.00 | 90.00 | 101.50 | 152.00 | 170.00 | 100.00 | 113.00 | | |
| 280.00 | 277.40 | 282.60 | 52.00 | 59.00 | 200.00 | 212.00 | 68.00 | 75.00 | 192.50 | 206.00 | 74.00 | 82.50 | 190.50 | 204.00 | 76.00 | 84.50 | 183.00 | 198.00 | 82.00 | 92.00 | 173.50 | 190.00 | 90.00 | 101.50 | 162.00 | 180.00 | 100.00 | 113.00 | | |
| 290.00 | 287.40 | 292.60 | 52.00 | 59.00 | 210.00 | 222.00 | 68.00 | 75.00 | 202.50 | 216.00 | 74.00 | 82.50 | 200.50 | 214.00 | 76.00 | 84.50 | 193.00 | 208.00 | 82.00 | 92.00 | 183.50 | 200.00 | 90.00 | 101.50 | 172.00 | 190.00 | 100.00 | 113.00 | | |
| 300.00 | 297.40 | 302.60 | 52.00 | 59.00 | 220.00 | 232.00 | 68.00 | 75.00 | 212.50 | 226.00 | 74.00 | 82.50 | 210.50 | 224.00 | 76.00 | 84.50 | 203.00 | 218.00 | 82.00 | 92.00 | 193.50 | 210.00 | 90.00 | 101.50 | 182.00 | 200.00 | 100.00 | 113.00 | | |
| 310.00 | 307.40 | 312.60 | 52.00 | 59.00 | 230.00 | 242.00 | 68.00 | 75.00 | 222.50 | 236.00 | 74.00 | 82.50 | 220.50 | 234.00 | 76.00 | 84.50 | 213.00 | 228.00 | 82.00 | 92.00 | 203.50 | 220.00 | 90.00 | 101.50 | 192.00 | 210.00 | 100.00 | 113.00 | | |
| 320.00 | 317.15 | 322.85 | 52.00 | 59.00 | 240.00 | 252.00 | 68.00 | 75.00 | 232.50 | 246.00 | 74.00 | 82.50 | 230.50 | 244.00 | 76.00 | 84.50 | 223.00 | 238.00 | 82.00 | 92.00 | 213.50 | 230.00 | 90.00 | 101.50 | 202.00 | 220.00 | 100.00 | 113.00 | | |
| 330.00 | 327.15 | 332.85 | 52.00 | 59.00 | 250.00 | 262.00 | 68.00 | 75.00 | 242.50 | 256.00 | 74.00 | 82.50 | 240.50 | 254.00 | 76.00 | 84.50 | 233.00 | 248.00 | 82.00 | 92.00 | 223.50 | 240.00 | 90.00 | 101.50 | 212.00 | 230.00 | 100.00 | 113.00 | | |
| 340.00 | 337.15 | 342.85 | 52.00 | 59.00 | 260.00 | 272.00 | 68.00 | 75.00 | 252.50 | 266.00 | 74.00 | 82.50 | 250.50 | 264.00 | 76.00 | 84.50 | 243.00 | 258.00 | 82.00 | 92.00 | 233.50 | 250.00 | 90.00 | 101.50 | 222.00 | 240.00 | 100.00 | 113.00 | | |
| 350.00 | 347.15 | 352.85 | 52.00 | 59.00 | 270.00 | 282.00 | 68.00 | 75.00 | 262.50 | 276.00 | 74.00 | 82.50 | 260.50 | 274.00 | 76.00 | 84.50 | 253.00 | 268.00 | 82.00 | 92.00 | 243.50 | 260.00 | 90.00 | 101.50 | 232.00 | 250.00 | 100.00 | 113.00 | | |
| 360.00 | 357.15 | 362.85 | 52.00 | 59.00 | 280.00 | 292.00 | 68.00 | 75.00 | 272.50 | 286.00 | 74.00 | 82.50 | 270.50 | 284.00 | 76.00 | 84.50 | 263.00 | 278.00 | 82.00 | 92.00 | 253.50 | 270.00 | 90.00 | 101.50 | 242.00 | 260.00 | 100.00 | 113.00 | | |
| 370.00 | 367.15 | 372.85 | 52.00 | 59.00 | 290.00 | 302.00 | 68.00 | 75.00 | 282.50 | 296.00 | 74.00 | 82.50 | 280.50 | 294.00 | 76.00 | 84.50 | 273.00 | 288.00 | 82.00 | 92.00 | 263.50 | 280.00 | 90.00 | 101.50 | 252.00 | 270.00 | 100.00 | 113.00 | | |
| 380.00 | 377.15 | 382.85 | 52.00 | 59.00 | 300.00 | 312.00 | 68.00 | 75.00 | 292.50 | 306.00 | 74.00 | 82.50 | 290.50 | 304.00 | 76.00 | 84.50 | 283.00 | 298.00 | 82.00 | 92.00 | 273.50 | 290.00 | 90.00 | 101.50 | 262.00 | 280.00 | 100.00 | 113.00 | | |
| 390.00 | 387.15 | 392.85 | 52.00 | 59.00 | 310.00 | 322.00 | 68.00 | 75.00 | 302.50 | 316.00 | 74.00 | 82.50 | 300.50 | 314.00 | 76.00 | 84.50 | 293.00 | 308.00 | 82.00 | 92.00 | 283.50 | 300.00 | 90.00 | 101.50 | 272.00 | 290.00 | 100.00 | 113.00 | | |
| 400.00 | 397.15 | 402.85 | 52.00 | 59.00 | 320.00 | 332.00 | 68.00 | 75.00 | 312.50 | 326.00 | 74.00 | 82.50 | 310.50 | 324.00 | 76.00 | 84.50 | 303.00 | 318.00 | 82.00 | 92.00 | 293.50 | 310.00 | 90.00 | 101.50 | 282.00 | 300.00 | 100.00 | 113.00 | | |
| 410.00 | 407.15 | 412.85 | 52.00 | 59.00 | 330.00 | 342.00 | 68.00 | 75.00 | 322.50 | 336.00 | 74.00 | 82.50 | 320.50 | 334.00 | 76.00 | 84.50 | 313.00 | 328.00 | 82.00 | 92.00 | 303.50 | 320.00 | 90.00 | 101.50 | 292.00 | 310.00 | 100.00 | 113.00 | | |
| 420.00 | 416.85 | 423.15 | 52.00 | 59.00 | 340.00 | 352.00 | 68.00 | 75.00 | 332.50 | 346.00 | 74.00 | 82.50 | 330.50 | 344.00 | 76.00 | 84.50 | 323.00 | 338.00 | 82.00 | 92.00 | 313.50 | 330.00 | 90.00 | 101.50 | 302.00 | 320.00 | 100.00 | 113.00 | | |
| 430.00 | 426.85 | 433.15 | 52.00 | 59.00 | 350.00 | 362.00 | 68.00 | 75.00 | 342.50 | 356.00 | 74.00 | 82.50 | 340.50 | 354.00 | 76.00 | 84.50 | 333.00 | 348.00 | 82.00 | 92.00 | 323.50 | 340.00 | 90.00 | 101.50 | 312.00 | 330.00 | 100.00 | 113.00 | | |
| 440.00 | 436.85 | 443.15 | 52.00 | 59.00 | 360.00 | 372.00 | 68.00 | 75.00 | 352.50 | 366.00 | 74.00 | 82.50 | 350.50 | 364.00 | 76.00 | 84.50 | 343.00 | 358.00 | 82.00 | 92.00 | 333.50 | 350.00 | 90.00 | 101.50 | 322.00 | 340.00 | 100.00 | 113.00 | | |
| 450.00 | 446.85 | 453.15 | 52.00 | 59.00 | 370.00 | 382.00 | 68.00 | 75.00 | 362.50 | 376.00 | 74.00 | 82.50 | 360.50 | 374.00 | 76.00 | 84.50 | 353.00 | 368.00 | 82.00 | 92.00 | 343.50 | 360.00 | 90.00 | 1 | | | | | | |