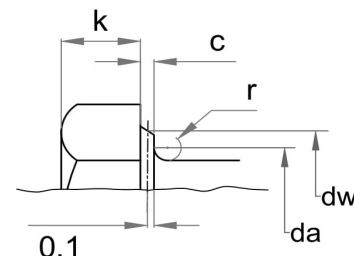
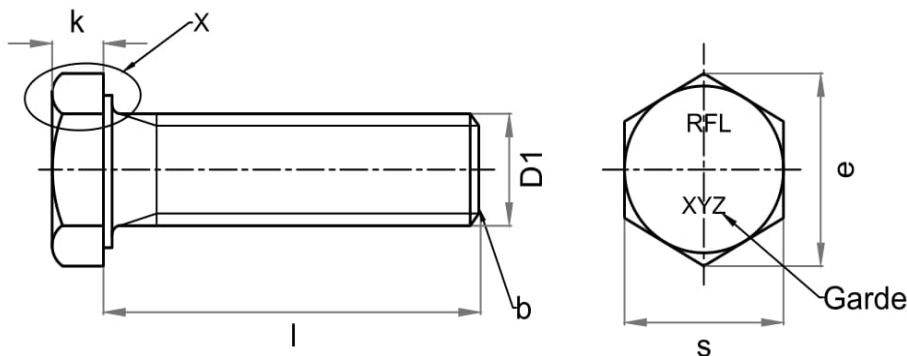


Hexagon Bolt – DIN 933

Metric Series – Dimensions

Notes:-

1. The Bolt will be according to DIN 933.
2. Threads will conform to Class 6g of ISO 724 & ISO 965-1.
3. Material High grade carbon/alloy steel & stainless steel According to ISO 898-1.
4. Heat Treatment: Property Class 8 or 10.
5. $\beta=15^\circ$ to 30° .
6. In Hot Dip Galvanizing Diameters will be reduced 0.3 mm.
7. Threading Length of bolts is **Full Thread**.
8. Point shall be chamfered or for threads \leq M4 may be as-rolled (sheared end) in the accordance with ISO 4753.
9. Incomplete thread $u = \leq 2P$.
10. Reference datum for dw.
11. Maximum under head fillet.
12. Chamfer (b) is Double of Pitch ($b = 2P$).
13. All dimensions are in millimetres.



'X' Enlarge View

S. No.	Size	Pitch (p)	Width across corner (e)		Width across Flat (s)		Head Thickness (k)		da	dw	Radiou s (r)	Washer height (c)		Major Diameter (D)		Pitch Diameter (D1)		Minor Diameter (D2)
			Min.	Max.	Min.	Max.	Min.	Max.				Min.	Max.	Min.	Max.	Min.	Max.	
		MM	Min.	Max.	Min.	Max.	Min.	Max.	Max.	Min.	Min.	Min.	Max.	Min.	Min.	Min.	Max.	Min.
1	M-16	2.00	26.17	24.00	23.16	24.00	9.71	10.29	17.70	22.00	0.60	0.20	0.80	15.68	15.96	14.50	14.60	13.80
2	M-18	2.50	29.56	27.00	26.16	27.00	11.15	11.85	20.20	24.85	0.60	0.20	0.80	17.62	17.96	16.15	16.25	15.25
3	M-20	2.50	32.95	30.00	29.16	30.00	12.15	12.85	22.40	27.70	0.80	0.20	0.80	19.62	19.96	18.15	18.25	17.25
4	M-22	2.50	37.29	34.00	33.00	34.00	13.65	14.35	24.40	31.35	0.80	0.20	0.80	21.62	21.96	20.15	20.25	19.25
5	M-24	3.00	39.55	36.00	35.00	36.00	14.65	15.35	26.40	33.25	0.80	0.20	0.80	23.58	23.95	21.80	21.90	20.74
6	M-27	3.00	45.20	41.00	40.00	41.00	16.65	17.35	30.40	38.00	1.00	0.20	0.80	26.58	26.95	24.80	24.90	23.70
7	M30	3.50	50.85	45.00	53.80	55.00	18.18	19.12	39.40	42.75	1.00	0.20	0.80	29.52	29.95	27.50	27.60	26.16
8	M-33	3.50	55.37	49.00	49.00	50.00	20.58	21.42	36.40	46.55	1.00	0.20	0.80	32.52	32.95	30.45	30.55	29.16
9	M-36	4.00	60.79	53.00	53.80	55.00	22.08	22.92	39.40	51.11	1.00	0.20	0.80	35.46	35.94	33.15	33.25	31.61
10	M-39	4.00	66.44	58.00	58.80	60.00	24.58	25.42	42.40	55.86	1.00	0.30	1.00	38.46	38.94	36.20	36.30	34.61
11	M-42	4.50	71.30	63.00	63.10	65.00	25.58	26.42	45.60	59.95	1.20	0.30	1.00	41.44	41.94	38.80	38.90	37.07
12	M-45	4.50	76.95	68.00	68.10	70.00	27.58	28.42	48.60	64.70	1.20	0.30	1.00	44.44	44.94	41.80	41.90	40.07
13	M-48	5.00	82.60	73.00	73.10	75.00	29.58	30.42	52.60	69.45	1.60	0.30	1.00	47.40	47.93	44.50	44.60	42.52
14	M-52	5.00	88.25	78.00	78.10	80.00	32.50	33.50	56.60	74.20	1.60	0.30	1.00	51.40	51.93	48.50	48.60	46.52
15	M-56	5.50	93.56	82.00	82.80	85.00	34.50	35.50	63.00	78.66	2.00	0.30	1.00	55.36	55.92	52.10	52.20	49.97
16	M-60	5.50	99.21	87.00	87.80	90.00	37.50	38.50	67.00	83.41	2.00	0.30	1.00	59.36	59.92	57.85	57.95	53.97
17	M-64	6.00	104.86	92.00	92.80	95.00	39.50	40.50	71.00	88.16	2.00	0.30	1.00	63.32	63.92	59.80	59.90	57.42



Hexagon Bolt – DIN 933

L	Total Length	Total Length	Threading length	Ls	Lg
Nominal length	Min.	Max.	Min -Max.	Min -Max.	Min -Max.
70	68.50	71.50	F.T	NA	NA
80	78.50	81.50	F.T	NA	NA
90	88.25	91.75	F.T	NA	NA
100	98.25	101.75	F.T	NA	NA
110	108.25	111.75	F.T	NA	NA
120	118.25	121.75	F.T	NA	NA
130	128.00	132.00	F.T	NA	NA
140	138.00	142.00	F.T	NA	NA
150	148.00	152.00	F.T	NA	NA
160	158.00	162.00	F.T	NA	NA
170	168.00	172.00	F.T	NA	NA
180	178.00	182.00	F.T	NA	NA
190	188.00	192.00	F.T	NA	NA
200	197.70	202.30	F.T	NA	NA
210	207.70	212.30	F.T	NA	NA
220	217.70	222.30	F.T	NA	NA
230	227.70	232.30	F.T	NA	NA
240	237.70	242.30	F.T	NA	NA
250	247.70	252.30	F.T	NA	NA
260	257.40	262.60	F.T	NA	NA
270	267.40	272.60	F.T	NA	NA
280	277.40	282.60	F.T	NA	NA
290	287.40	292.60	F.T	NA	NA
300	297.40	302.60	F.T	NA	NA
310	307.40	312.60	F.T	NA	NA
320	317.15	322.85	F.T	NA	NA
330	327.15	332.85	F.T	NA	NA
340	337.15	342.85	F.T	NA	NA
350	347.15	352.85	F.T	NA	NA
360	357.15	362.85	F.T	NA	NA
370	367.15	372.85	F.T	NA	NA
380	377.15	382.85	F.T	NA	NA
390	387.15	392.85	F.T	NA	NA
400	397.15	402.85	F.T	NA	NA
410	407.15	412.85	F.T	NA	NA
420	416.85	423.15	F.T	NA	NA
430	426.85	433.15	F.T	NA	NA
440	436.85	443.15	F.T	NA	NA
450	446.85	453.15	F.T	NA	NA
460	456.85	463.15	F.T	NA	NA
470	466.85	473.15	F.T	NA	NA
480	476.85	483.15	F.T	NA	NA
490	486.85	493.15	F.T	NA	NA
500	496.85	503.15	F.T	NA	NA