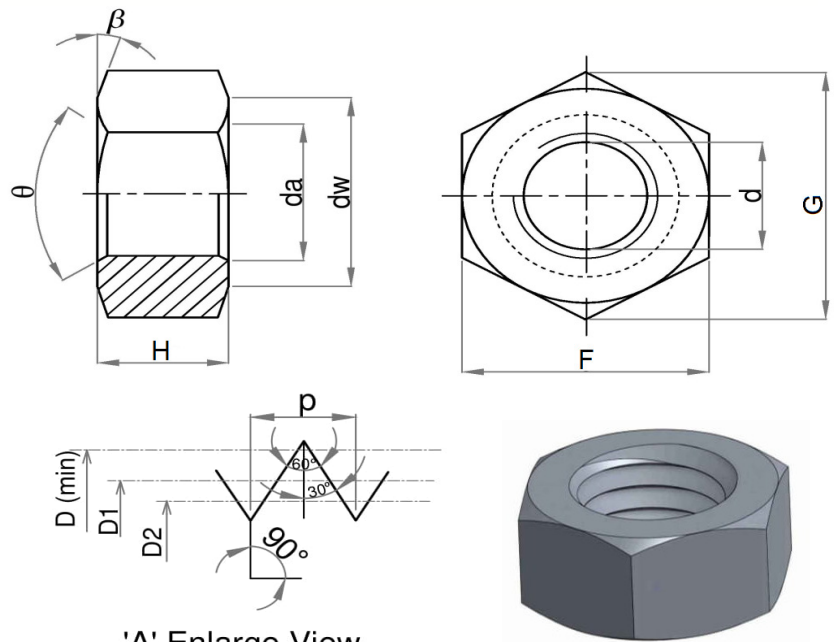


Hexagon Nut – ASME B18.2.2 (T-3)

Inch Series – Dimensions

Notes:-

1. The Nut will be according to ASME B18.2.2.
2. Threads will conform to Class 2B (UNC & UN).
3. Material High grade carbon/alloy steel & stainless steel.
4. Heat Treatment Property Class Grade 5,2H,C,A,DH,DH3.
5. Coating & Marking will be done as per requirement.
6. $\beta = 15^\circ$ to 30° , $\theta = 90^\circ$ to 120°
7. All dimensions are in millimetres.



'A' Enlarge View

S.No.	Nominal Size			TPI	Width Across Flats		Width Across Corners		Thickness Hex Nut		Minor diameter (Bore)		Ranout of Bearing Face FIM	
					F		G		H		(d)		Specified Proof Load	
					Min.	Max.	Min.	Max.	Min.	Max.	Min.	Max.	Up to 150,000 psi	150,000 psi and Greater
1	1/4	0.25	20 UNC	Inch	0.428	0.438	0.488	0.505	0.212	0.226	0.196	0.207	0.015	0.01
				mm	10.87	11.13	12.4	12.83	5.38	5.74	4.98	5.26		
2	5/16	0.3125	18 UNC	Inch	0.489	0.5	0.557	0.577	0.258	0.273	0.252	0.265	0.016	0.011
				mm	12.42	12.7	14.15	14.66	6.55	6.93	6.4	6.73		
3	3/8	0.375	16 UNC	Inch	0.551	0.562	0.628	0.65	0.32	0.337	0.307	0.321	0.017	0.012
				mm	14	14.27	15.95	16.51	8.13	8.56	7.8	8.15		
4	7/16	0.4375	14 UNC	Inch	0.675	0.688	0.768	0.794	0.365	0.385	0.36	0.376	0.018	0.013
				mm	17.15	17.48	19.51	20.17	9.27	9.78	9.14	9.55		
5	1/2	0.5	13 UNC	Inch	0.736	0.75	0.84	0.866	0.427	0.448	0.417	0.434	0.019	0.014
				mm	18.69	19.05	21.34	22	10.85	11.38	10.59	11.02		
6	9/16	0.5625	12 UNC	Inch	0.861	0.875	0.982	1.01	0.473	0.496	0.472	0.49	0.02	0.015
				mm	21.87	22.23	24.94	25.65	12.01	12.6	11.99	12.45		
7	5/8	0.625	11 UNC	Inch	0.922	0.938	1.051	1.083	0.535	0.559	0.527	0.546	0.021	0.016
				mm	23.42	23.83	26.7	27.51	13.59	14.2	13.39	13.87		
8	3/4	0.75	10 UNC	Inch	1.088	1.125	1.24	1.299	0.617	0.665	0.642	0.663	0.023	0.018
				mm	27.64	28.58	31.5	32.99	15.67	16.89	16.31	16.84		
9	7/8	0.875	9 UNC	Inch	1.269	1.312	1.447	1.516	0.724	0.776	0.755	0.778	0.025	0.02
				mm	32.23	33.32	36.75	38.51	18.39	19.71	19.18	19.76		
10	1	1	8UNC	Inch	1.45	1.5	1.653	1.732	0.831	0.887	0.865	0.89	0.027	0.022
				mm	36.83	38.1	41.99	43.99	21.11	22.53	21.97	22.61		
11	1-1/8	1.125	8UN	Inch	1.631	1.688	1.859	1.949	0.939	0.999	0.99	1.015	0.03	0.025
				mm	41.43	42.88	47.22	49.5	23.85	25.37	25.15	25.78		
12	1-1/4	1.25	8UN	Inch	1.812	1.875	2.066	2.165	1.03	1.094	1.115	1.14	0.033	0.028
				mm	46.02	47.63	52.48	54.99	26.16	27.79	28.32	28.96		
13	1-3/8	1.375	8UN	Inch	1.994	2.062	2.273	2.382	1.138	1.206	1.24	1.265	0.036	0.031
				mm	50.65	52.37	57.73	60.5	28.91	30.63	31.5	32.13		
14	1-1/2	1.5	8UN	Inch	2.175	2.25	2.48	2.598	1.245	1.317	1.365	1.39	0.039	0.034
				mm	55.25	57.15	62.99	65.99	31.62	33.45	34.67	35.31		