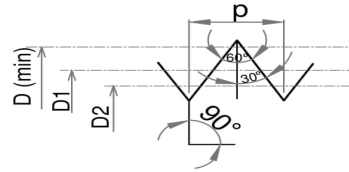
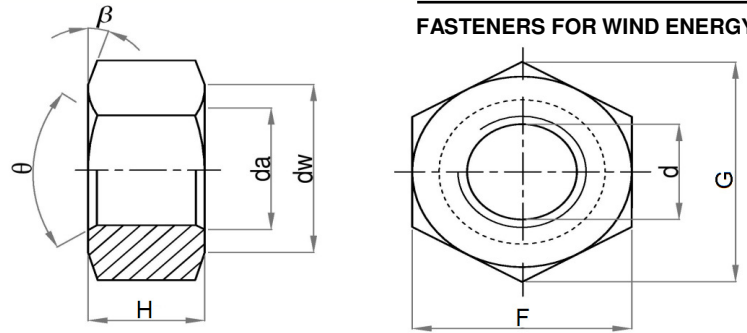


Hexagon Nut – ANSI B18.2.2 (T-9)

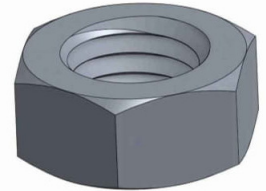
Inch Series – Dimensions

Notes:-

1. The Nut will be according to ANSI B18.2.2.
2. Threads will conform to Class 2B (UNC & UN).
3. Material High grade carbon/alloy steel & stainless steel.
4. Heat Treatment Property Class Grade 5,2H,C,A,DH,DH3.
5. Coating & Marking will be done as per requirement.
6. $\beta = 15^\circ$ to 30° , $\theta = 90^\circ$ to 120°
7. All dimensions are in millimetres.



'A' Enlarge View



S.No.	Nominal Size		TPI		Width Across Flats		Width Across Corners		Thickness Hex Nut		Minor diameter (Bore)		Ranout of Bearing Face FIM	
					F		G		H		(d)		Specified Proof Load	
					Min.	Max.	Min.	Max.	Min.	Max.	Min.	Max.	Up to 150,000 psi	150,000 psi and Greater
1	1/4	0.2500	20 UNC	Inch	0.488	0.500	0.556	0.577	0.218	0.250	0.196	0.207	0.017	0.011
				mm	12.395	12.700	14.122	14.656	5.537	6.350	4.978	5.258		
2	5/16	0.3125	18 UNC	Inch	0.546	0.562	0.622	0.650	0.280	0.314	0.252	0.265	0.020	0.012
				mm	13.868	14.275	15.799	16.510	7.112	7.976	6.401	6.731		
3	3/8	0.3750	16 UNC	Inch	0.669	0.688	0.763	0.794	0.341	0.377	0.307	0.321	0.021	0.014
				mm	16.993	17.475	19.380	20.168	8.661	9.576	7.798	8.153		
4	7/16	0.4375	14 UNC	Inch	0.728	0.750	0.830	0.866	0.403	0.441	0.360	0.376	0.022	0.015
				mm	18.491	19.050	21.082	21.996	10.236	11.201	9.144	9.550		
5	1/2	0.5000	13 UNC	Inch	0.850	0.875	0.969	1.010	0.464	0.504	0.417	0.434	0.023	0.016
				mm	21.590	22.225	24.613	25.654	11.786	12.802	10.592	11.024		
6	9/16	0.5625	12 UNC	Inch	0.909	0.938	1.037	1.083	0.526	0.568	0.472	0.490	0.024	0.017
				mm	23.089	23.825	26.340	27.508	13.360	14.427	11.989	12.446		
7	5/8	0.6250	11 UNC	Inch	1.031	1.062	1.175	1.227	0.587	0.631	0.527	0.546	0.025	0.018
				mm	26.187	26.975	29.845	31.166	14.910	16.027	13.386	13.868		
8	3/4	0.7500	10 UNC	Inch	1.212	1.250	1.382	1.443	0.710	0.758	0.642	0.663	0.027	0.020
				mm	30.785	31.750	35.103	36.652	18.034	19.253	16.307	16.840		
9	7/8	0.8750	9 UNC	Inch	1.394	1.438	1.589	1.660	0.833	0.885	0.755	0.778	0.029	0.022
				mm	35.408	36.525	40.361	42.164	21.158	22.479	19.177	19.761		
10	1	1.0000	8UNC	Inch	1.575	1.625	1.796	1.876	0.956	1.012	0.865	0.890	0.031	0.024
				mm	40.005	41.275	45.618	47.650	24.282	25.705	21.971	22.606		
11	1-1/8	1.1250	8UN	Inch	1.756	1.812	2.002	2.093	1.079	1.139	0.990	1.015	0.033	0.027
				mm	44.602	46.025	50.851	53.162	27.407	28.931	25.146	25.781		
12	1-1/4	1.2500	8UN	Inch	1.938	2.000	2.209	2.309	1.187	1.251	1.115	1.140	0.035	0.030
				mm	49.225	50.800	56.109	58.649	30.150	31.775	28.321	28.956		
13	1-3/8	1.3750	8UN	Inch	2.119	2.188	2.416	2.526	1.310	1.378	1.240	1.265	0.038	0.033
				mm	53.823	55.575	61.366	64.160	33.274	35.001	31.496	32.131		
14	1-1/2	1.5000	8UN	Inch	2.300	2.375	2.622	2.742	1.433	1.505	1.365	1.390	0.041	0.036
				mm	58.420	60.325	66.599	69.647	36.398	38.227	34.671	35.306		
15	1-5/8	1.6250	8UN	Inch	2.481	2.562	2.828	2.959	1.556	1.632	1.490	1.515	0.044	0.038
				mm	63.017	65.075	71.831	75.159	39.522	41.453	37.846	38.481		
16	1-3/4	1.7500	8UN	Inch	2.662	2.750	3.035	3.175	1.679	1.759	1.615	1.640	0.048	0.041
				mm	67.615	69.850	77.089	80.645	42.647	44.679	41.021	41.656		
17	1-7/8	1.8750	8UN	Inch	2.844	2.938	3.242	3.392	1.802	1.886	1.740	1.765	0.051	0.044
				mm	72.238	74.625	82.347	86.157	45.771	47.904	44.196	44.831		
18	2	2.0000	8UN	Inch	3.025	3.125	3.449	3.608	1.925	2.013	1.865	1.890	0.055	0.047
				mm	76.835	79.375	87.605	91.643	48.895	51.130	47.371	48.006		
19	2-1/4	2.2500	8UN	Inch	3.388	3.500	3.862	4.041	2.155	2.251	2.115	2.140	0.061	0.052
				mm	86.055	88.900	98.095	102.641	54.737	57.175	53.721	54.356		
20	2-1/2	2.5000	8UN	Inch	3.750	3.875	4.275	4.474	2.401	2.505	2.365	2.390	0.068	0.058
				mm	95.250	98.425	108.585	113.640	60.985	63.627	60.071	60.706		
21	2-3/4	2.7500	8UN	Inch	4.112	4.250	4.688	4.907	2.647	2.759	2.615	2.640	0.071	0.064
				mm	104.445	107.950	119.075	124.638	67.234	70.079	66.421	67.056		
22	3	3.0000	8UN	Inch	4.475	4.625	5.102	5.340	2.893	3.013	2.865	2.890	0.081	0.070
				mm	113.665	117.475	129.5908	135.636	73.4822	76.5302	72.771	73.406		