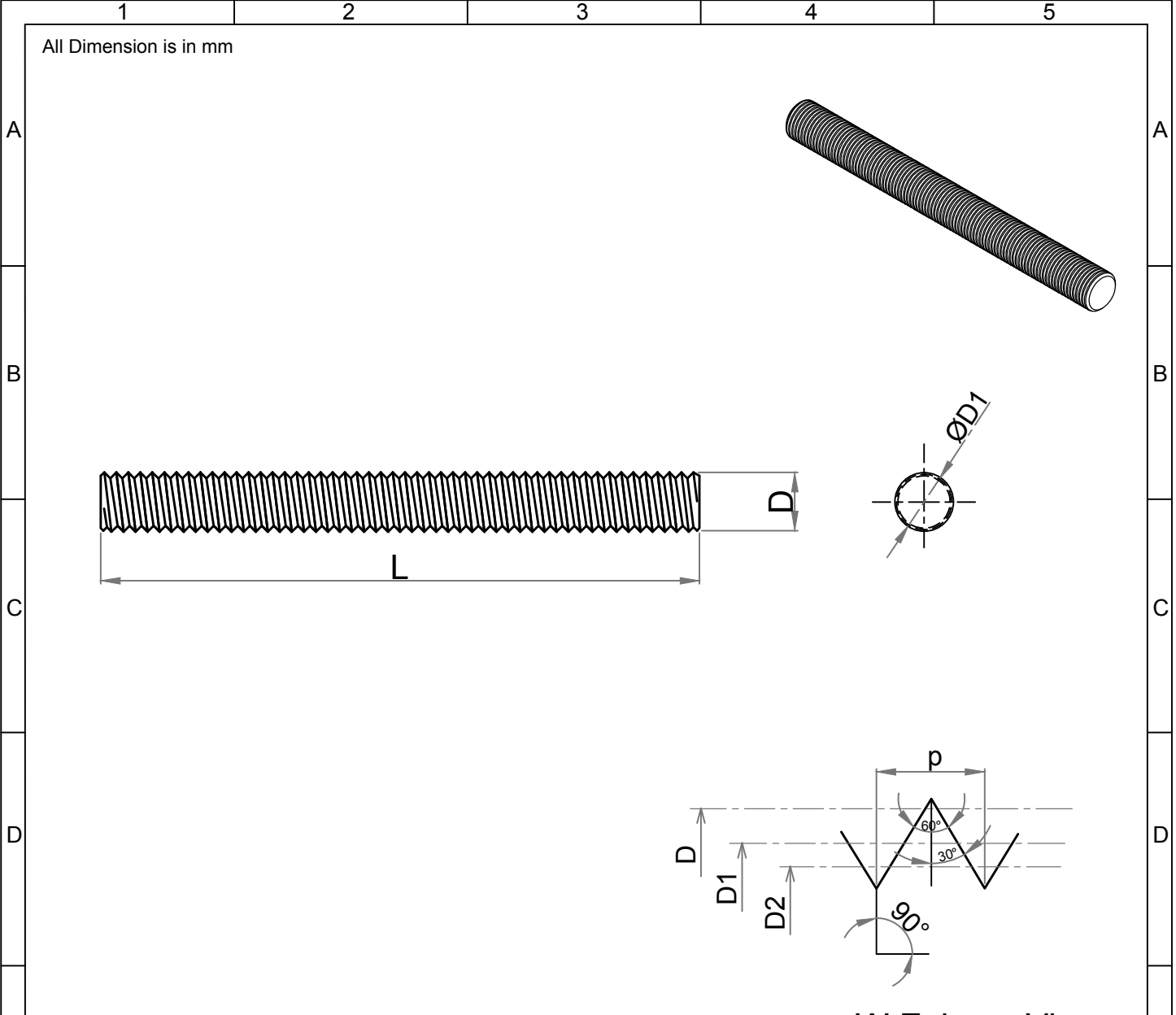


Note: This Drawing is the property of Kapil Enterprises-Kundli, and must not be copied or reproduced without permission or Written authorisation by Kapil Enterprises-Kundli



Fully Threaded Stud Bolt As per ASTM A193 1"x8"

'A' Enlarge View

| Parameters | Symbol | Minimum | Maximum | Drawing No.- KE-BASE-2200-00131-B18.1.1-A193-L43-1x8 | | |
|------------------------|--------------|---------|---------------|---|--|--------------------------|
| | | | | Dimension as per | | B18.1.1 |
| Total Length | L | 203.20 | 205.20 | Chemical & Mechanical properties as per | | ASTM A193 |
| Threading Length | I | F.T | F.T | Grade | | L43 |
| Major diameter | D | 24.96 | 25.35 | Title | | Stud Bolt |
| Pitch diameter | D1 | 23.11 | 23.29 | Size | 1"x8" | Status- Approved |
| Minor diameter | D2 | 21.45 | - | Dated | 13.06.2018 | Proj. |
| Chamfer | u | 0.00 | 6.00 | Mass/Weight | 0.68331 kg/piece | |
| Thread per Inch | TPI | 8 UNC | | | | |
| Thread tolerance class | C | 2A | | | | |
| Amendment | | | | Drawn By | Checked By | Approved By |
| Details | Revision No. | Dated | Authorised by | Pankaj Kumar (Ass. QC Manager) | Santosh Kumar (Plant Head-GM) | Kapil Aggarwal CEO-MD |
| | | | | | Kapil Enterprises 330 EHTP, HSIIDC, Kundli Industrial Estate Sonapat - Haryana-131028, Ph:9811009061 Email:sales@bigboltnut.com, kapil@roll-fast.com | |
| | | | | | | |