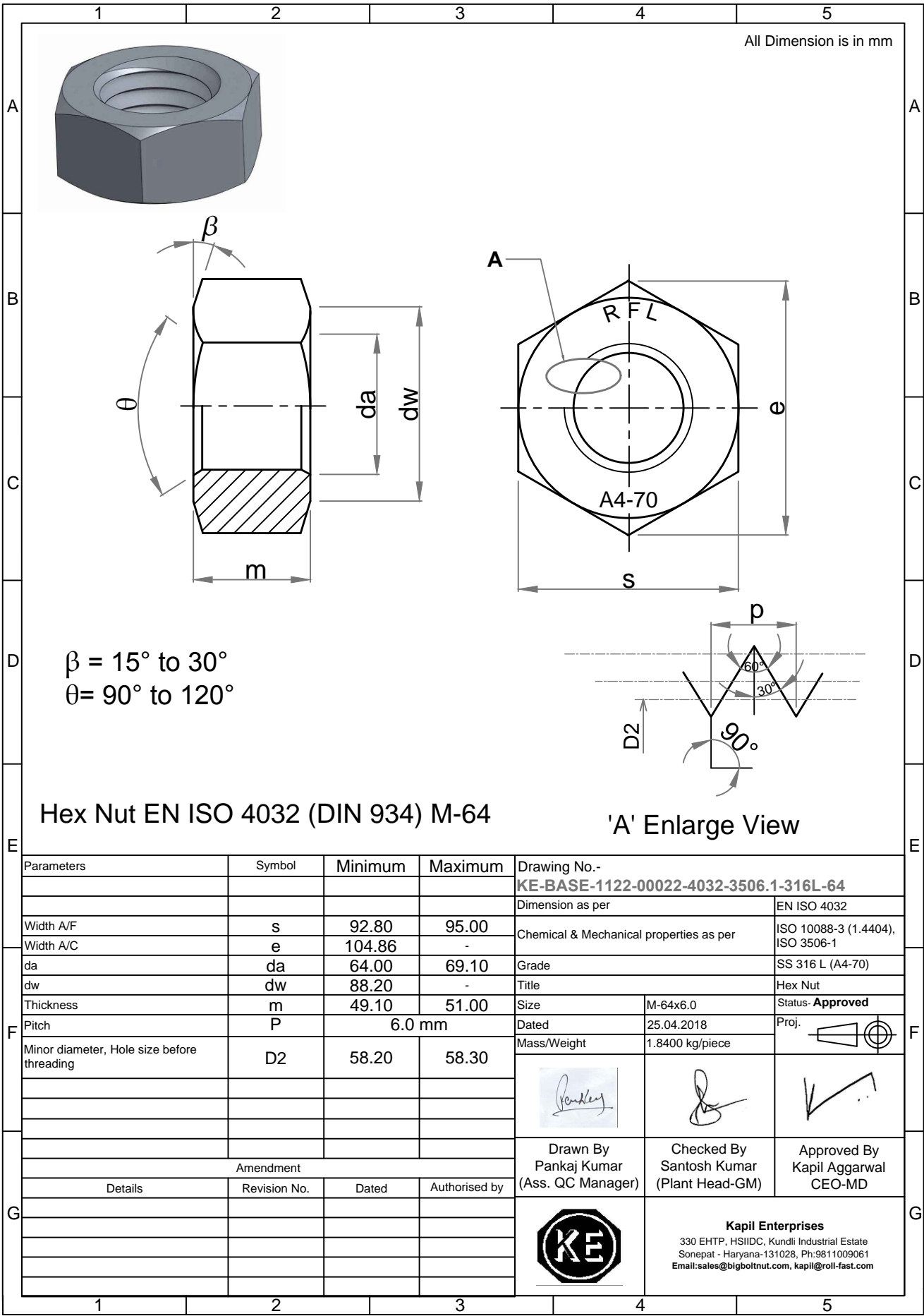


Note: This Drawing is the property of Kapil Enterprises-Kundli, and must not be copied or reproduced without permission or Written authorisation by Kapil Enterprises-Kundli



Hex Nut EN ISO 4032 (DIN 934) M-64

'A' Enlarge View

Parameters	Symbol	Minimum	Maximum	Drawing No.- KE-BASE-1122-00022-4032-3506.1-316L-64		
				Dimension as per		EN ISO 4032
Width A/F	s	92.80	95.00	Chemical & Mechanical properties as per		ISO 10088-3 (1.4404), ISO 3506-1
Width A/C	e	104.86	-	Grade		SS 316 L (A4-70)
da	da	64.00	69.10	Title		Hex Nut
dw	dw	88.20	-	Size	M-64x6.0	Status- Approved
Thickness	m	49.10	51.00	Dated	25.04.2018	Proj.
Pitch	P	6.0 mm		Mass/Weight	1.8400 kg/piece	
Minor diameter, Hole size before threading	D2	58.20	58.30			
Amendment				Drawn By	Checked By	Approved By
Details	Revision No.	Dated	Authorised by	Pankaj Kumar (Ass. QC Manager)	Santosh Kumar (Plant Head-GM)	Kapil Aggarwal CEO-MD
				Kapil Enterprises 330 EHTP, HSIIDC, Kundli Industrial Estate Sonapat - Haryana-131028, Ph:9811009061 Email:sales@bigboltnut.com, kapil@roll-fast.com		