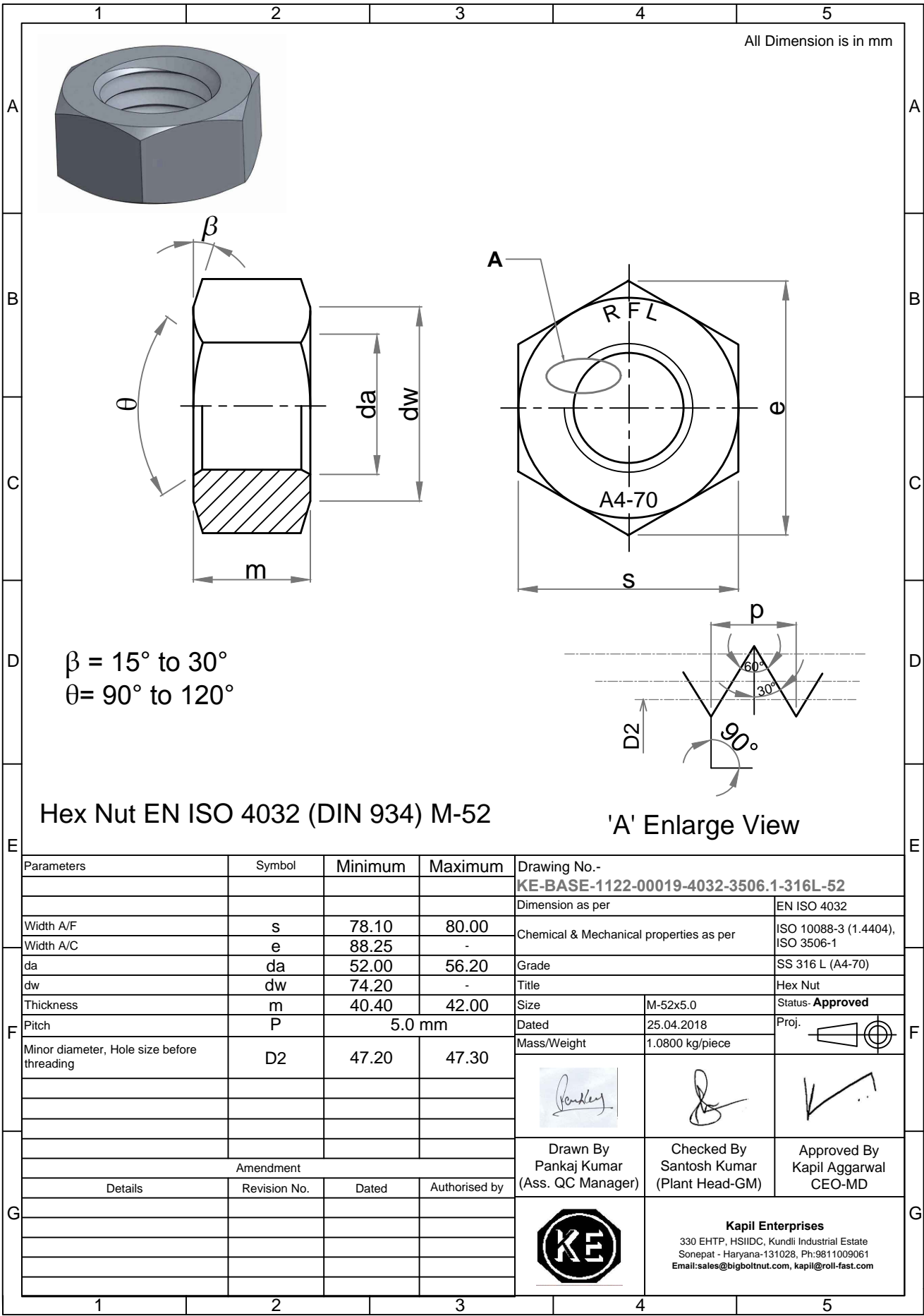


Note: This Drawing is the property of Kapil Enterprises-Kundli, and must not be copied or reproduced without permission or Written authorisation by Kapil Enterprises-Kundli



**Hex Nut EN ISO 4032 (DIN 934) M-52**

**'A' Enlarge View**

Parameters	Symbol	Minimum	Maximum
Width A/F	s	78.10	80.00
Width A/C	e	88.25	-
da	da	52.00	56.20
dw	dw	74.20	-
Thickness	m	40.40	42.00
Pitch	P	5.0 mm	
Minor diameter, Hole size before threading	D2	47.20	47.30
Amendment			
Details	Revision No.	Dated	Authorised by

Drawing No.- <b>KE-BASE-1122-00019-4032-3506.1-316L-52</b>		
Dimension as per		EN ISO 4032
Chemical & Mechanical properties as per		ISO 10088-3 (1.4404), ISO 3506-1
Grade		SS 316 L (A4-70)
Title		Hex Nut
Size	M-52x5.0	Status- <b>Approved</b>
Dated	25.04.2018	Proj.
Mass/Weight	1.0800 kg/piece	
Drawn By Pankaj Kumar (Ass. QC Manager)	Checked By Santosh Kumar (Plant Head-GM)	Approved By Kapil Aggarwal CEO-MD
<b>Kapil Enterprises</b> 330 EHTP, HSIIDC, Kundli Industrial Estate Sonapat - Haryana-131028, Ph:9811009061 Email:sales@bigboltnut.com, kapil@roll-fast.com		