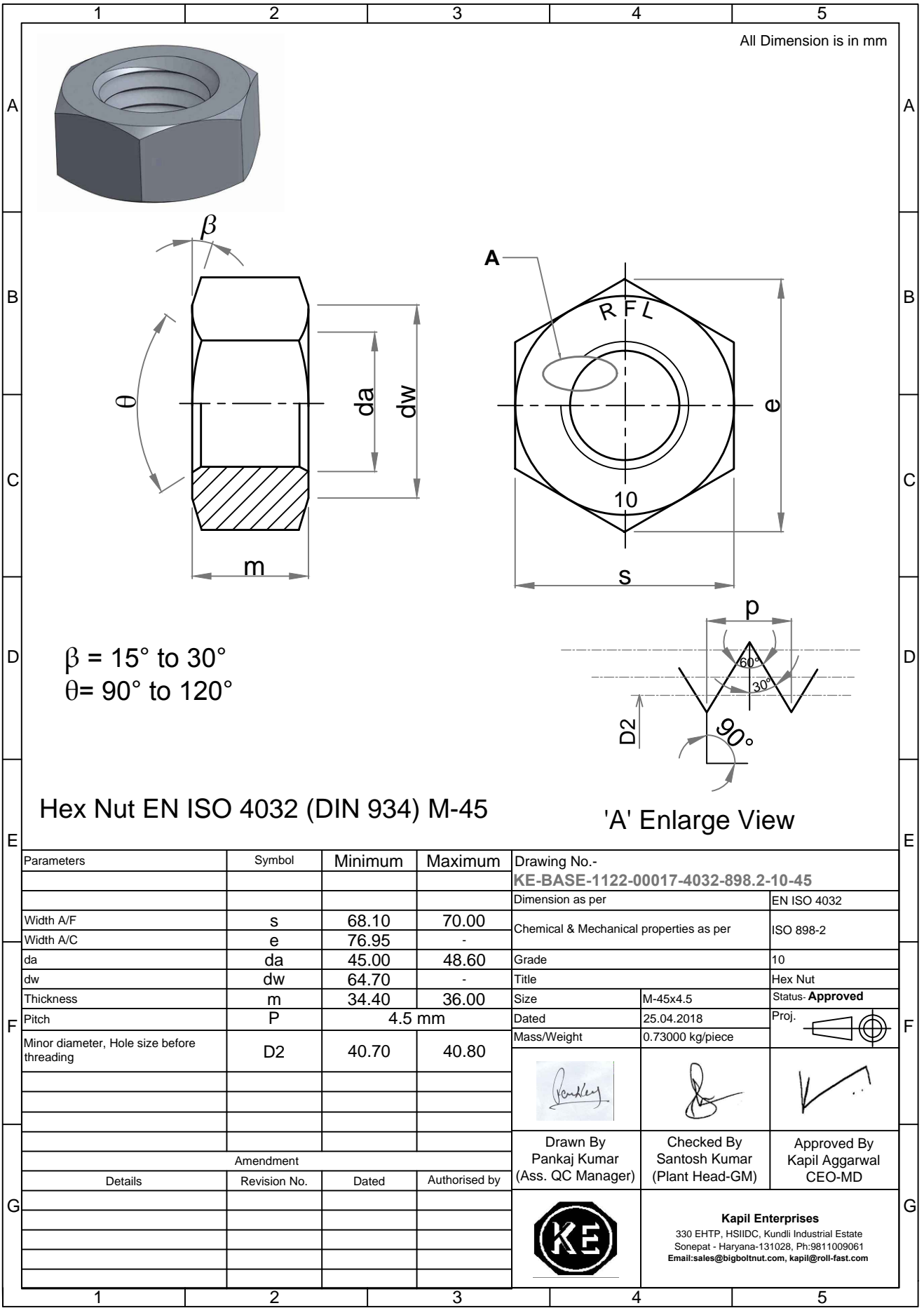


Note: This Drawing is the property of Kapil Enterprises-Kundli, and must not be copied or reproduced without permission or Written authorisation by Kapil Enterprises-Kundli



All Dimension is in mm

$\beta = 15^\circ \text{ to } 30^\circ$
 $\theta = 90^\circ \text{ to } 120^\circ$

Hex Nut EN ISO 4032 (DIN 934) M-45

'A' Enlarge View

Parameters	Symbol	Minimum	Maximum
Width A/F	s	68.10	70.00
Width A/C	e	76.95	-
da	da	45.00	48.60
dw	dw	64.70	-
Thickness	m	34.40	36.00
Pitch	P	4.5 mm	
Minor diameter, Hole size before threading	D2	40.70	40.80
Amendment			
Details	Revision No.	Dated	Authorised by

Drawing No.- KE-BASE-1122-00017-4032-898.2-10-45	
Dimension as per	EN ISO 4032
Chemical & Mechanical properties as per	ISO 898-2
Grade	10
Title	Hex Nut
Size	M-45x4.5
Dated	25.04.2018
Mass/Weight	0.73000 kg/piece
Proj.	
Drawn By Pankaj Kumar (Ass. QC Manager)	Checked By Santosh Kumar (Plant Head-GM)
Approved By Kapil Aggarwal CEO-MD	
Kapil Enterprises 330 EHTP, HSIIDC, Kundli Industrial Estate Sonapat - Haryana-131028, Ph:9811009061 Email:sales@bigboltnut.com, kapil@roll-fast.com	