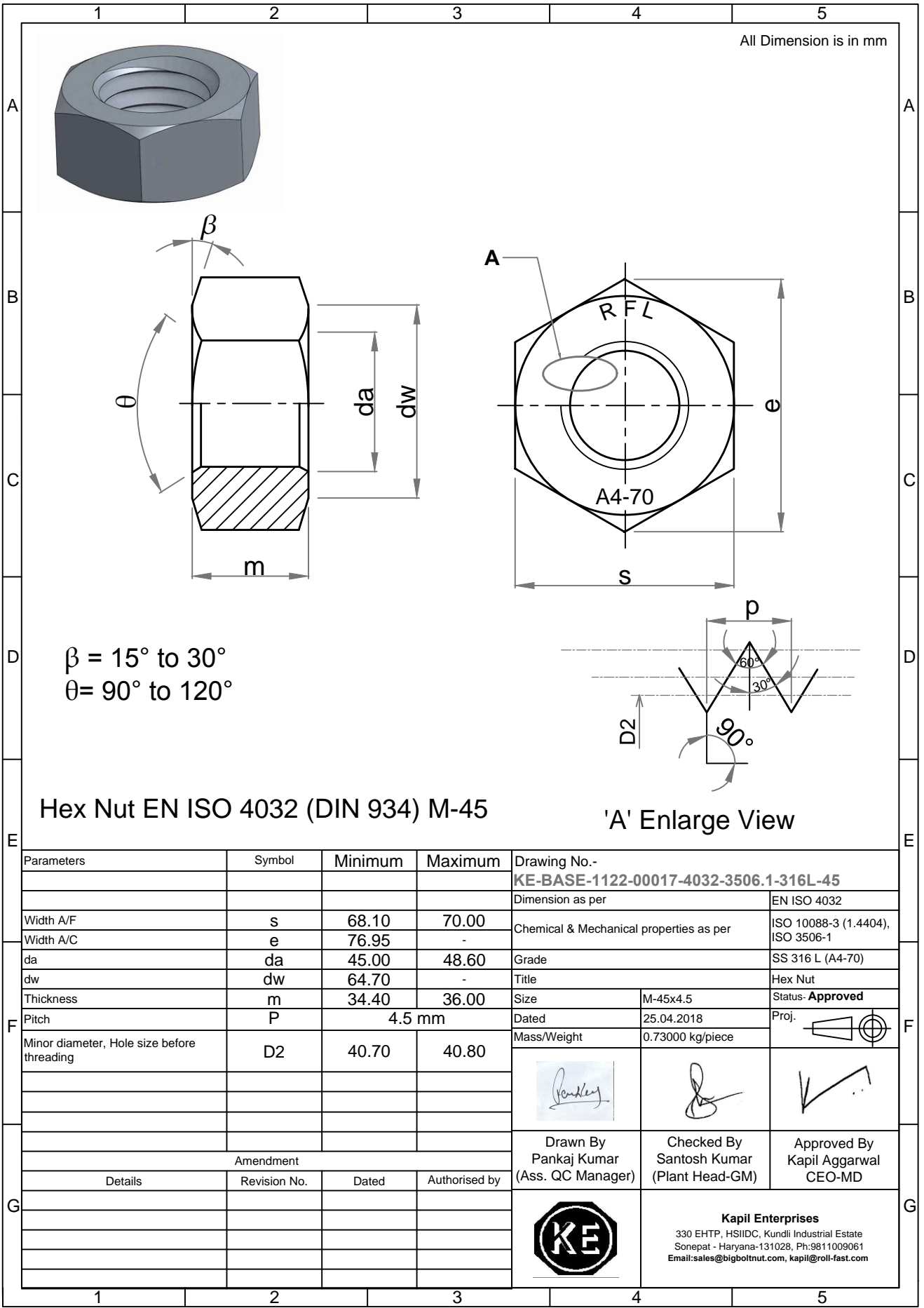


Note: This Drawing is the property of Kapil Enterprises-Kundli, and must not be copied or reproduced without permission or Written authorisation by Kapil Enterprises-Kundli



Hex Nut EN ISO 4032 (DIN 934) M-45

'A' Enlarge View

Parameters	Symbol	Minimum	Maximum	Drawing No.- KE-BASE-1122-00017-4032-3506.1-316L-45		
				Dimension as per		EN ISO 4032
Width A/F	s	68.10	70.00	Chemical & Mechanical properties as per		ISO 10088-3 (1.4404), ISO 3506-1
Width A/C	e	76.95	-	Grade		SS 316 L (A4-70)
da	da	45.00	48.60	Title		Hex Nut
dw	dw	64.70	-	Size	M-45x4.5	Status- Approved
Thickness	m	34.40	36.00	Dated	25.04.2018	Proj.
Pitch	P	4.5 mm		Mass/Weight	0.73000 kg/piece	
Minor diameter, Hole size before threading	D2	40.70	40.80	<div style="display: flex; justify-content: space-around;"> <div style="border: 1px solid black; padding: 5px;"> </div> <div style="border: 1px solid black; padding: 5px;"> </div> <div style="border: 1px solid black; padding: 5px;"> </div> </div>		
Amendment				Drawn By	Checked By	Approved By
Details	Revision No.	Dated	Authorised by	Pankaj Kumar (Ass. QC Manager)	Santosh Kumar (Plant Head-GM)	Kapil Aggarwal CEO-MD
				Kapil Enterprises 330 EHTP, HSIIDC, Kundli Industrial Estate Sonapat - Haryana-131028, Ph:9811009061 Email:sales@bigboltnut.com, kapil@roll-fast.com		