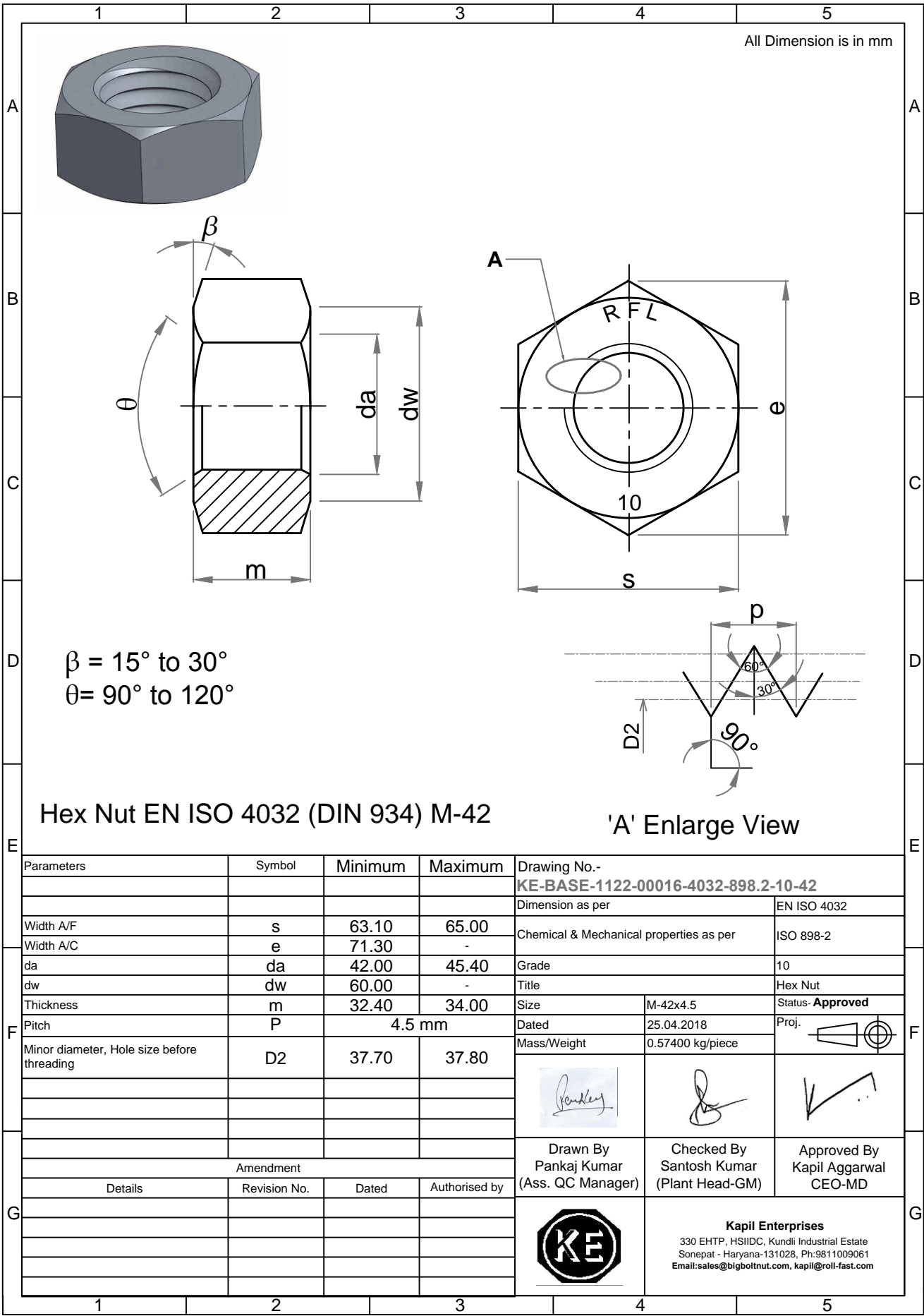


Note: This Drawing is the property of Kapil Enterprises-Kundli, and must not be copied or reproduced without permission or Written authorisation by Kapil Enterprises-Kundli



All Dimension is in mm

$\beta = 15^\circ \text{ to } 30^\circ$
 $\theta = 90^\circ \text{ to } 120^\circ$

Hex Nut EN ISO 4032 (DIN 934) M-42

'A' Enlarge View

Parameters	Symbol	Minimum	Maximum
Width A/F	s	63.10	65.00
Width A/C	e	71.30	-
da	da	42.00	45.40
dw	dw	60.00	-
Thickness	m	32.40	34.00
Pitch	P	4.5 mm	
Minor diameter, Hole size before threading	D2	37.70	37.80
Amendment			
Details	Revision No.	Dated	Authorised by

Drawing No.- KE-BASE-1122-00016-4032-898.2-10-42	
Dimension as per	EN ISO 4032
Chemical & Mechanical properties as per	ISO 898-2
Grade	10
Title	Hex Nut
Size	M-42x4.5
Dated	25.04.2018
Mass/Weight	0.57400 kg/piece
<div style="display: flex; justify-content: space-around;"> <div style="text-align: center;">  Drawn By Pankaj Kumar (Ass. QC Manager) </div> <div style="text-align: center;">  Checked By Santosh Kumar (Plant Head-GM) </div> <div style="text-align: center;">  Approved By Kapil Aggarwal CEO-MD </div> </div>	
	
Kapil Enterprises 330 EHTP, HSIIDC, Kundli Industrial Estate Sonapat - Haryana-131028, Ph:9811009061 Email:sales@bigboltnut.com, kapil@roll-fast.com	