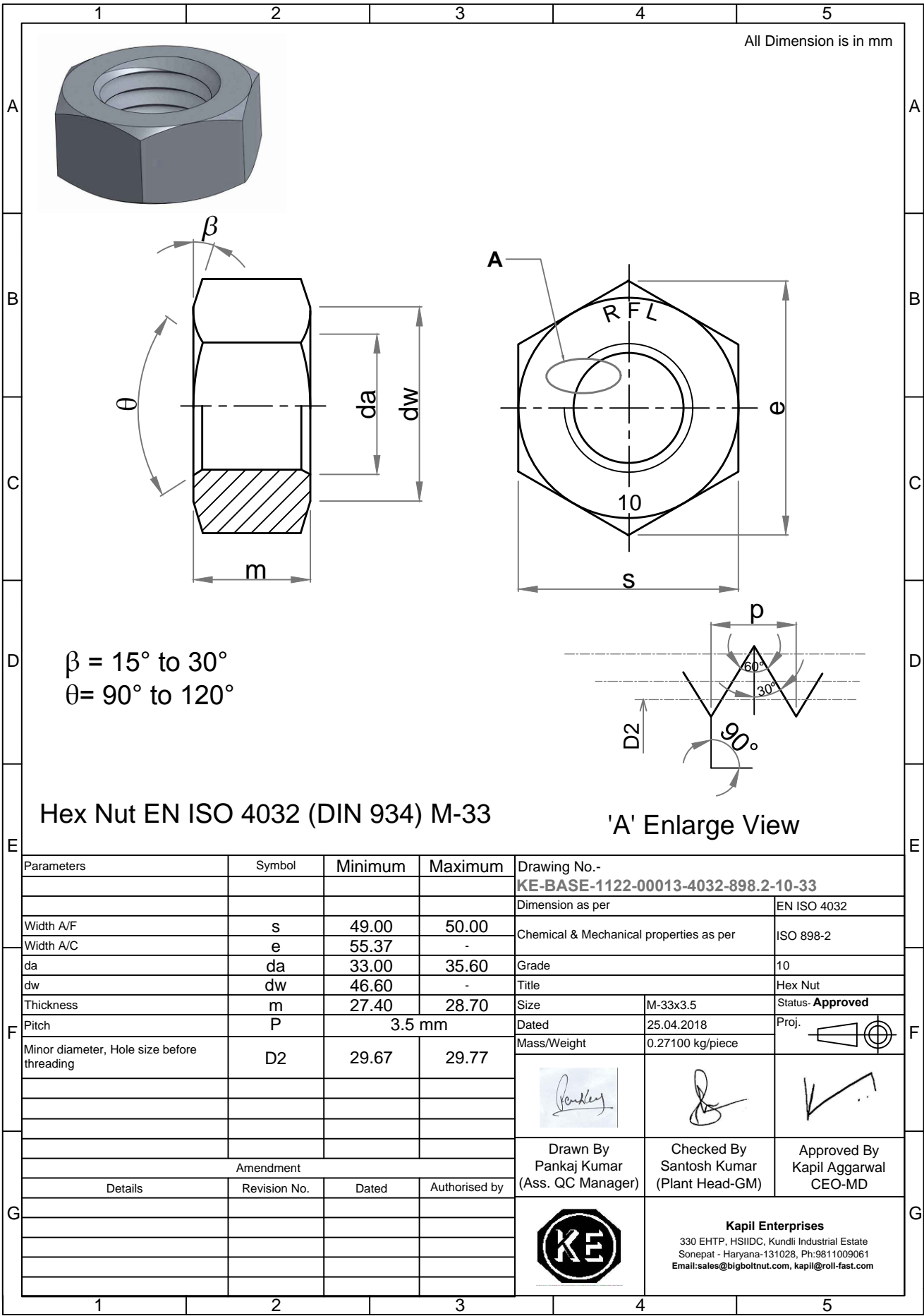


Note: This Drawing is the property of Kapil Enterprises-Kundli, and must not be copied or reproduced without permission or Written authorisation by Kapil Enterprises-Kundli



**Hex Nut EN ISO 4032 (DIN 934) M-33**

**'A' Enlarge View**

Parameters	Symbol	Minimum	Maximum	Drawing No.- <b>KE-BASE-1122-00013-4032-898.2-10-33</b>	
				Dimension as per	EN ISO 4032
Width A/F	s	49.00	50.00	Chemical & Mechanical properties as per	ISO 898-2
Width A/C	e	55.37	-	Grade	10
da	da	33.00	35.60	Title	Hex Nut
dw	dw	46.60	-	Size	M-33x3.5
Thickness	m	27.40	28.70	Status	<b>Approved</b>
Pitch	P	3.5 mm		Dated	25.04.2018
Minor diameter, Hole size before threading	D2	29.67	29.77	Mass/Weight	0.27100 kg/piece
				Proj.	
Amendment				Drawn By	Checked By
Details	Revision No.	Dated	Authorised by	Pankaj Kumar (Ass. QC Manager)	Santosh Kumar (Plant Head-GM)
				Approved By	Kapil Aggarwal CEO-MD
				<b>Kapil Enterprises</b> 330 EHTP, HSIIDC, Kundli Industrial Estate Sonapat - Haryana-131028, Ph:9811009061 Email:sales@bigboltnut.com, kapil@roll-fast.com	