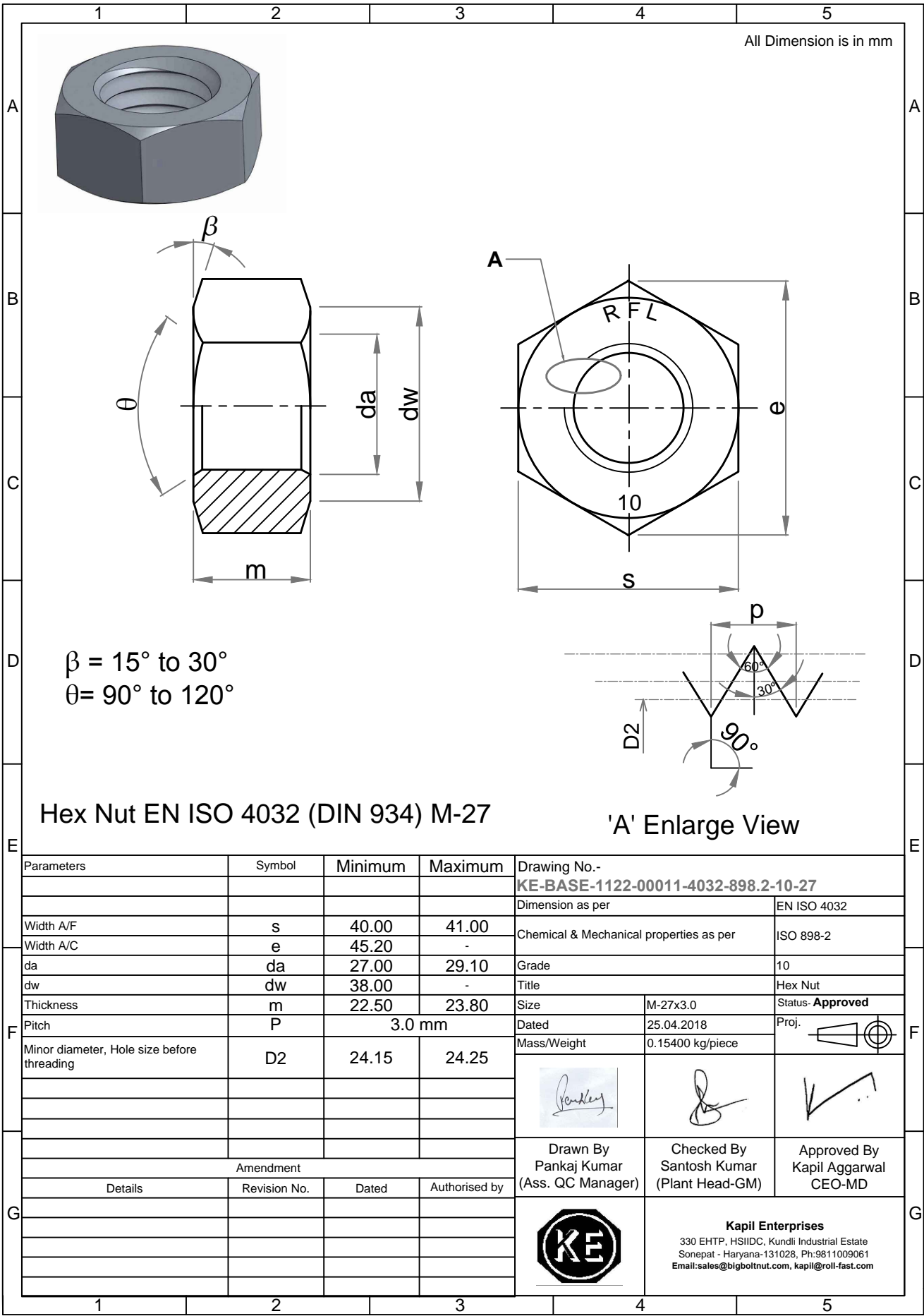


Note: This Drawing is the property of Kapil Enterprises-Kundli, and must not be copied or reproduced without permission or Written authorisation by Kapil Enterprises-Kundli



All Dimension is in mm

$\beta = 15^\circ \text{ to } 30^\circ$   
 $\theta = 90^\circ \text{ to } 120^\circ$

Hex Nut EN ISO 4032 (DIN 934) M-27

'A' Enlarge View

| Parameters                                 | Symbol       | Minimum | Maximum       |
|--|--------------|---------|---------------|
| Width A/F                                  | s            | 40.00   | 41.00         |
| Width A/C                                  | e            | 45.20   | -             |
| da   | da           | 27.00   | 29.10         |
| dw   | dw           | 38.00   | -             |
| Thickness                                  | m            | 22.50   | 23.80         |
| Pitch                                      | P            | 3.0 mm  |               |
| Minor diameter, Hole size before threading | D2           | 24.15   | 24.25         |
| Amendment                                  |              |         |               |
| Details                                    | Revision No. | Dated   | Authorised by |
|  |              |         |               |
|  |              |         |               |
|  |              |         |               |
|  |              |         |               |

|  |  |
|--|--|
| Drawing No.-<br><b>KE-BASE-1122-00011-4032-898.2-10-27</b> |  |
| Dimension as per   | EN ISO 4032  |
| Chemical & Mechanical properties as per                    | ISO 898-2  |
| Grade  | 10   |
| Title  | Hex Nut  |
| Size   | M-27x3.0   |
| Status   | <b>Approved</b>  |
| Dated  | 25.04.2018   |
| Proj.  |  |
| Mass/Weight  | 0.15400 kg/piece   |
|  |  |
|  |  |
| Drawn By<br>Pankaj Kumar<br>(Ass. QC Manager)              | Checked By<br>Santosh Kumar<br>(Plant Head-GM)   |
| Approved By<br>Kapil Aggarwal<br>CEO-MD                    |  |
|  | <b>Kapil Enterprises</b><br>330 EHTP, HSIIDC, Kundli Industrial Estate<br>Sonapat - Haryana-131028, Ph:9811009061<br>Email:sales@bigboltnut.com, kapil@roll-fast.com |