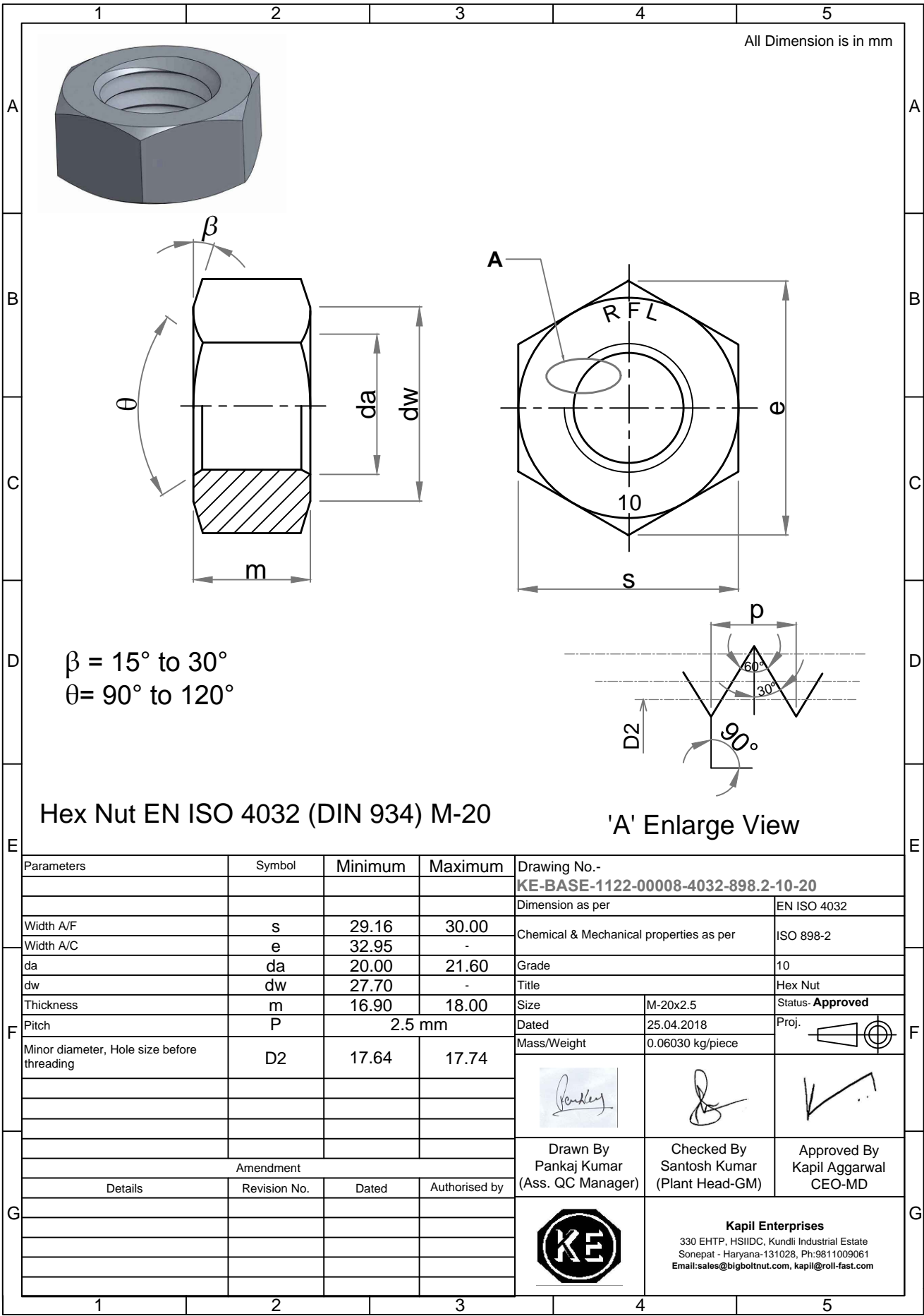


Note: This Drawing is the property of Kapil Enterprises-Kundli, and must not be copied or reproduced without permission or Written authorisation by Kapil Enterprises-Kundli



Parameters	Symbol	Minimum	Maximum
Width A/F	s	29.16	30.00
Width A/C	e	32.95	-
da	da	20.00	21.60
dw	dw	27.70	-
Thickness	m	16.90	18.00
Pitch	P	2.5 mm	
Minor diameter, Hole size before threading	D2	17.64	17.74
Amendment			
Details	Revision No.	Dated	Authorised by

Drawing No.- KE-BASE-1122-00008-4032-898.2-10-20	
Dimension as per	EN ISO 4032
Chemical & Mechanical properties as per	ISO 898-2
Grade	10
Title	Hex Nut
Size	M-20x2.5
Dated	25.04.2018
Mass/Weight	0.06030 kg/piece
Proj.	
Drawn By Pankaj Kumar (Ass. QC Manager)	Checked By Santosh Kumar (Plant Head-GM)
Approved By Kapil Aggarwal CEO-MD	
Kapil Enterprises 330 EHTP, HSIIDC, Kundli Industrial Estate Sonapat - Haryana-131028, Ph:9811009061 Email:sales@bigboltnut.com, kapil@roll-fast.com	