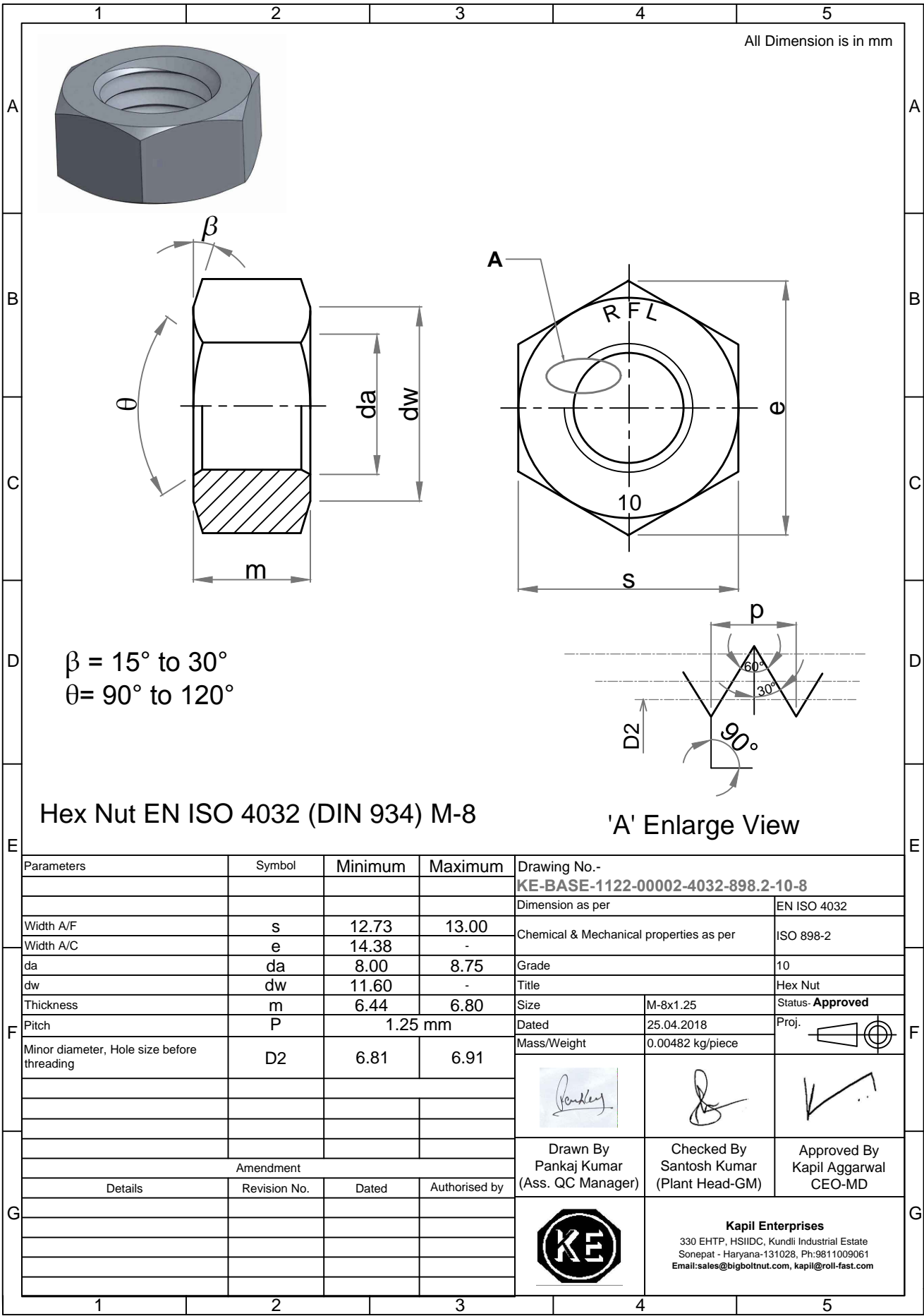


Note: This Drawing is the property of Kapil Enterprises-Kundli, and must not be copied or reproduced without permission or Written authorisation by Kapil Enterprises-Kundli



Hex Nut EN ISO 4032 (DIN 934) M-8

'A' Enlarge View

| Parameters | Symbol | Minimum | Maximum | Drawing No.- KE-BASE-1122-00002-4032-898.2-10-8 | | |
|--|--------------|---------|---------------|--|----------------------------------|--------------------------|
| | | | | Dimension as per | | EN ISO 4032 |
| Width A/F | s | 12.73 | 13.00 | Chemical & Mechanical properties as per | | ISO 898-2 |
| Width A/C | e | 14.38 | - | Grade | | 10 |
| da | da | 8.00 | 8.75 | Title | | Hex Nut |
| dw | dw | 11.60 | - | Size | M-8x1.25 | Status- Approved |
| Thickness | m | 6.44 | 6.80 | Dated | 25.04.2018 | Proj. |
| Pitch | P | 1.25 mm | | Mass/Weight | 0.00482 kg/piece | |
| Minor diameter, Hole size before threading | D2 | 6.81 | 6.91 | | | |
| Amendment | | | | Drawn By | Checked By | Approved By |
| Details | Revision No. | Dated | Authorised by | Pankaj Kumar (Ass. QC Manager) | Santosh Kumar (Plant Head-GM) | Kapil Aggarwal CEO-MD |
| | | | | | | |
| | | | | Kapil Enterprises 330 EHTP, HSIIDC, Kundli Industrial Estate Sonapat - Haryana-131028, Ph:9811009061 Email:sales@bigboltnut.com, kapil@roll-fast.com | | |