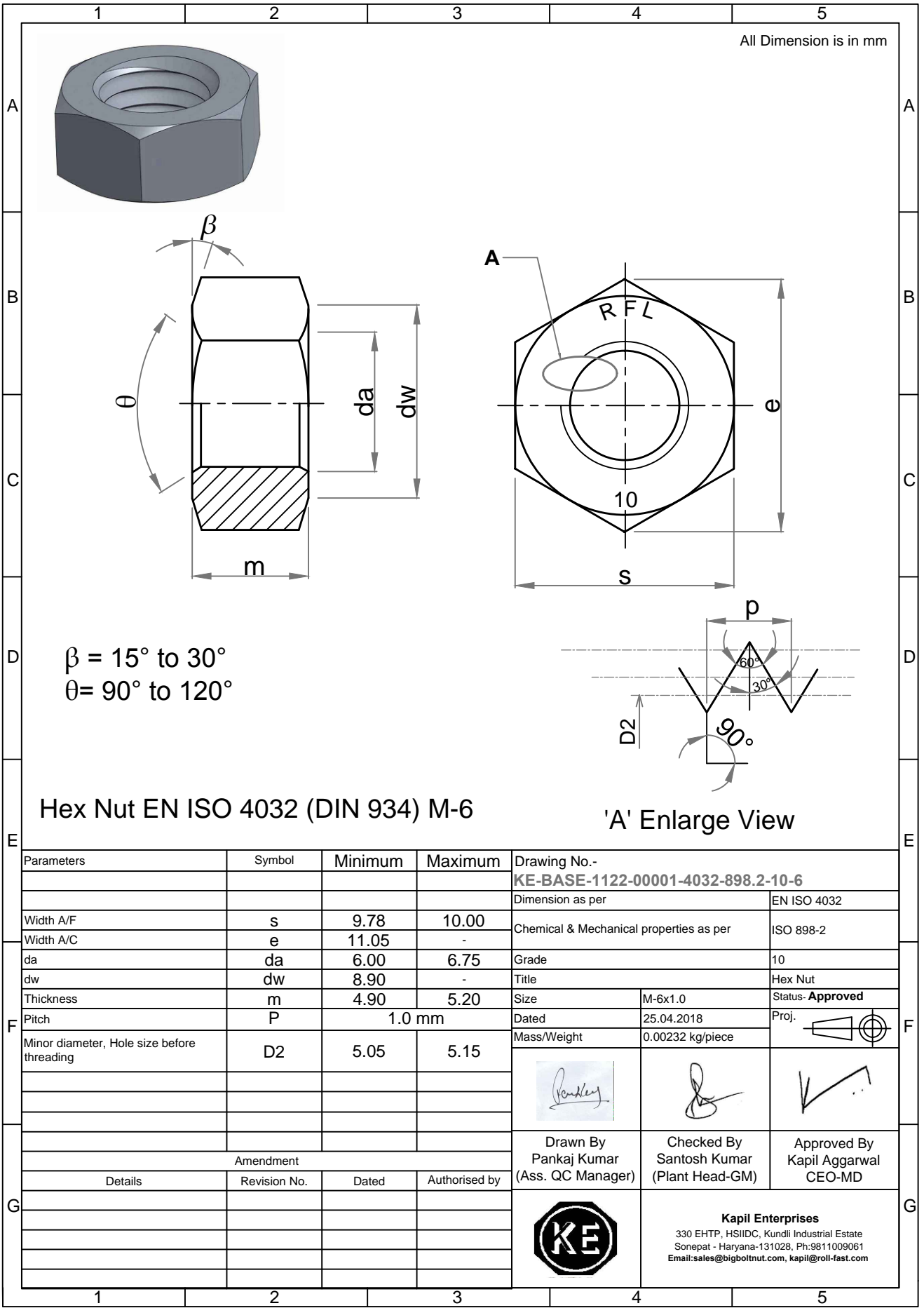


Note: This Drawing is the property of Kapil Enterprises-Kundli, and must not be copied or reproduced without permission or Written authorisation by Kapil Enterprises-Kundli



All Dimension is in mm

$\beta = 15^\circ \text{ to } 30^\circ$
 $\theta = 90^\circ \text{ to } 120^\circ$

Hex Nut EN ISO 4032 (DIN 934) M-6

'A' Enlarge View

| Parameters | Symbol | Minimum | Maximum |
|--|--------------|---------|---------------|
| Width A/F | s | 9.78 | 10.00 |
| Width A/C | e | 11.05 | - |
| da | da | 6.00 | 6.75 |
| dw | dw | 8.90 | - |
| Thickness | m | 4.90 | 5.20 |
| Pitch | P | 1.0 mm | |
| Minor diameter, Hole size before threading | D2 | 5.05 | 5.15 |
| Amendment | | | |
| Details | Revision No. | Dated | Authorised by |
| | | | |
| | | | |
| | | | |
| | | | |

| | | |
|--|--|---|
| Drawing No.- KE-BASE-1122-00001-4032-898.2-10-6 | | |
| Dimension as per | | EN ISO 4032 |
| Chemical & Mechanical properties as per | | ISO 898-2 |
| Grade | | 10 |
| Title | | Hex Nut |
| Size | M-6x1.0 | Status- Approved |
| Dated | 25.04.2018 | Proj. |
| Mass/Weight | 0.00232 kg/piece | |
| | | |
| Drawn By Pankaj Kumar (Ass. QC Manager) | Checked By Santosh Kumar (Plant Head-GM) | Approved By Kapil Aggarwal CEO-MD |
| | | |
| Kapil Enterprises 330 EHTP, HSIIDC, Kundli Industrial Estate Sonapat - Haryana-131028, Ph:9811009061 Email:sales@bigboltnut.com, kapil@roll-fast.com | | |