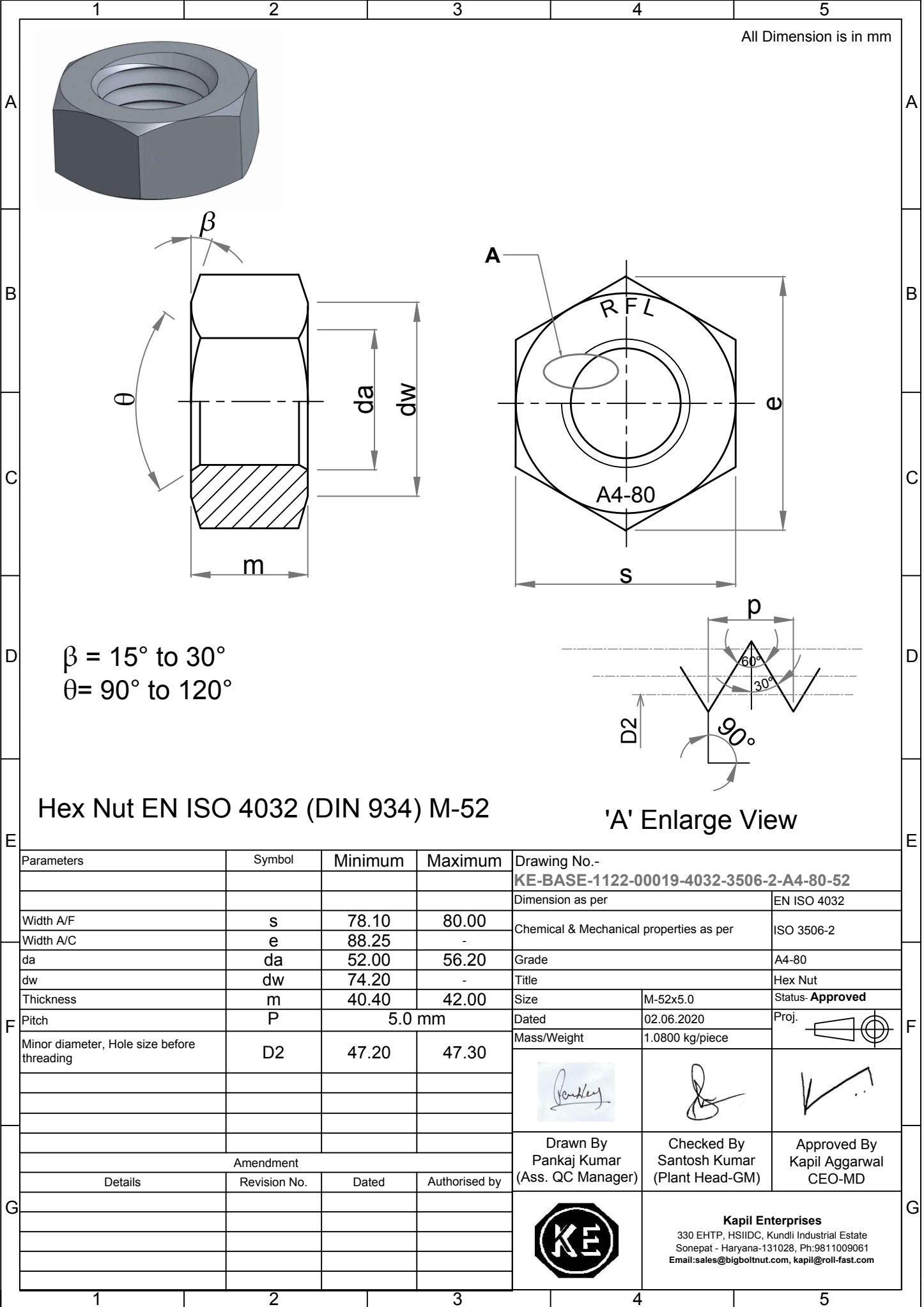


Note: This Drawing is the property of Kapil Enterprises-Kundli, and must not be copied or reproduced without permission or Written authorisation by Kapil Enterprises-Kundli



All Dimension is in mm

$\beta = 15^\circ \text{ to } 30^\circ$   
 $\theta = 90^\circ \text{ to } 120^\circ$

**Hex Nut EN ISO 4032 (DIN 934) M-52**

**'A' Enlarge View**

| Parameters                                 | Symbol       | Minimum | Maximum       | Drawing No.-<br><b>KE-BASE-1122-00019-4032-3506-2-A4-80-52</b>   |                 |
|--|--------------|---------|---------------|--|-----------------|
|  |              |         |               | Dimension as per EN ISO 4032   |                 |
| Width A/F                                  | s            | 78.10   | 80.00         | Chemical & Mechanical properties as per ISO 3506-2   |                 |
| Width A/C                                  | e            | 88.25   | -             | Grade A4-80  |                 |
| da   | da           | 52.00   | 56.20         | Title Hex Nut  |                 |
| dw   | dw           | 74.20   | -             | Size M-52x5.0  |                 |
| Thickness                                  | m            | 40.40   | 42.00         | Status- <b>Approved</b>  |                 |
| Pitch                                      | P            | 5.0 mm  |               | Dated  | 02.06.2020      |
| Minor diameter, Hole size before threading | D2           | 47.20   | 47.30         | Mass/Weight  | 1.0800 kg/piece |
|  |              |         |               | Proj.  |                 |
|  |              |         |               | <br><br>   |                 |
|  |              |         |               | Drawn By Pankaj Kumar (Ass. QC Manager)<br>Checked By Santosh Kumar (Plant Head-GM)<br>Approved By Kapil Aggarwal CEO-MD   |                 |
| Amendment                                  |              |         |               | <br><b>Kapil Enterprises</b><br>330 EHTP, HSIIDC, Kundli Industrial Estate<br>Sonapat - Haryana-131028, Ph:9811009061<br>Email:sales@bigboltnut.com, kapil@roll-fast.com |                 |
| Details                                    | Revision No. | Dated   | Authorised by |  |                 |
|  |              |         |               |  |                 |
|  |              |         |               |  |                 |
|  |              |         |               |  |                 |