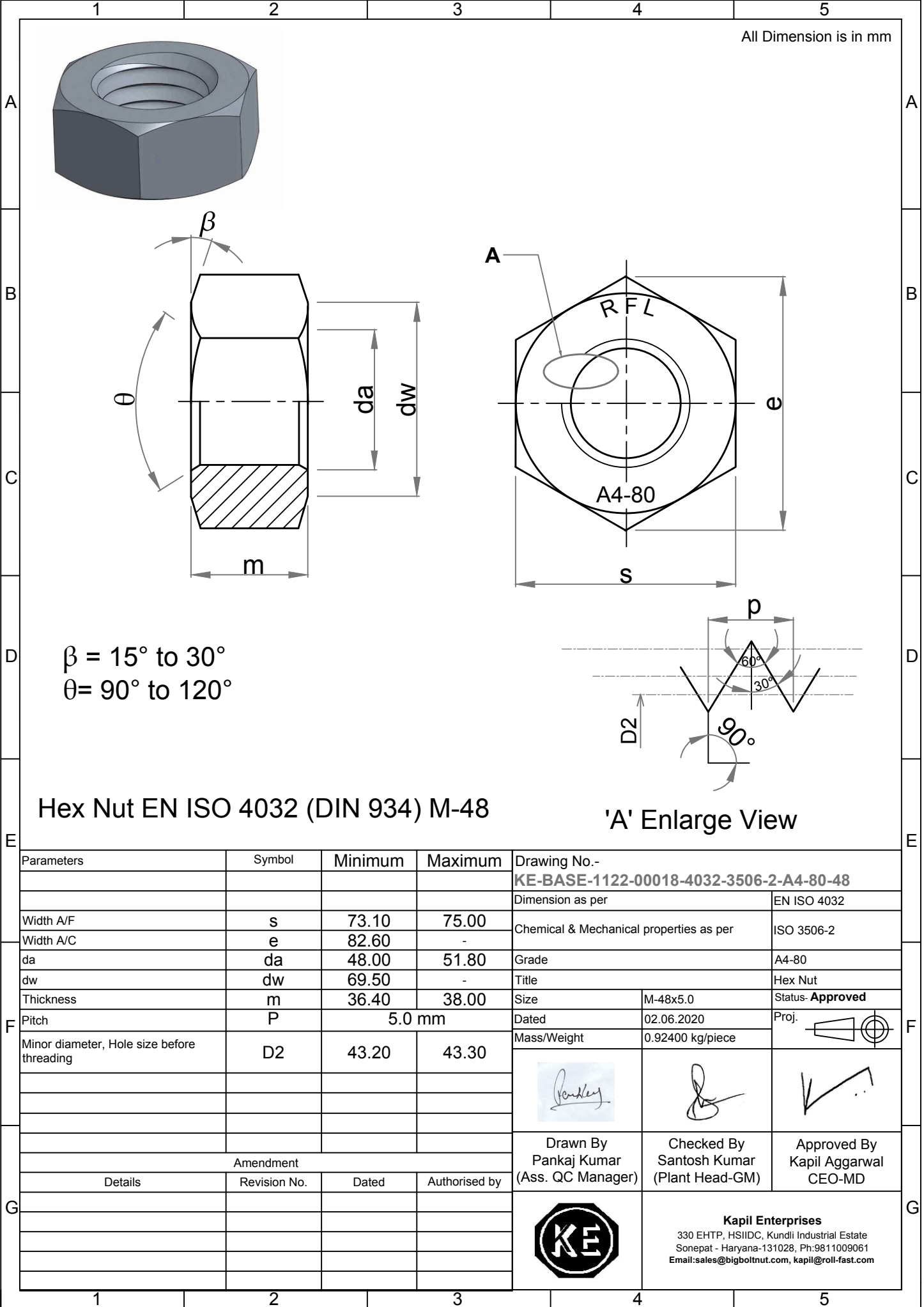


Note: This Drawing is the property of Kapil Enterprises-Kundli, and must not be copied or reproduced without permission or Written authorisation by Kapil Enterprises-Kundli



All Dimension is in mm

$\beta = 15^\circ \text{ to } 30^\circ$
 $\theta = 90^\circ \text{ to } 120^\circ$

Hex Nut EN ISO 4032 (DIN 934) M-48

'A' Enlarge View

Parameters		Symbol	Minimum	Maximum	Drawing No.- KE-BASE-1122-00018-4032-3506-2-A4-80-48	
					Dimension as per	EN ISO 4032
Width A/F		s	73.10	75.00	Chemical & Mechanical properties as per	
Width A/C		e	82.60	-	ISO 3506-2	
da		da	48.00	51.80	Grade	
dw		dw	69.50	-	A4-80	
Thickness		m	36.40	38.00	Title	
					Hex Nut	
Pitch		P	5.0 mm		Size	M-48x5.0
					Dated	02.06.2020
Minor diameter, Hole size before threading		D2	43.20	43.30	Mass/Weight	0.92400 kg/piece
					Proj.	
					Drawn By	Checked By
					Pankaj Kumar	Santosh Kumar
					(Ass. QC Manager)	(Plant Head-GM)
					Approved By	
					Kapil Aggarwal	
					CEO-MD	
					 Kapil Enterprises 330 EHTP, HSIIDC, Kundli Industrial Estate Sonapat - Haryana-131028, Ph:9811009061 Email:sales@bigboltnut.com, kapil@roll-fast.com	
Amendment						
Details	Revision No.	Dated	Authorised by			