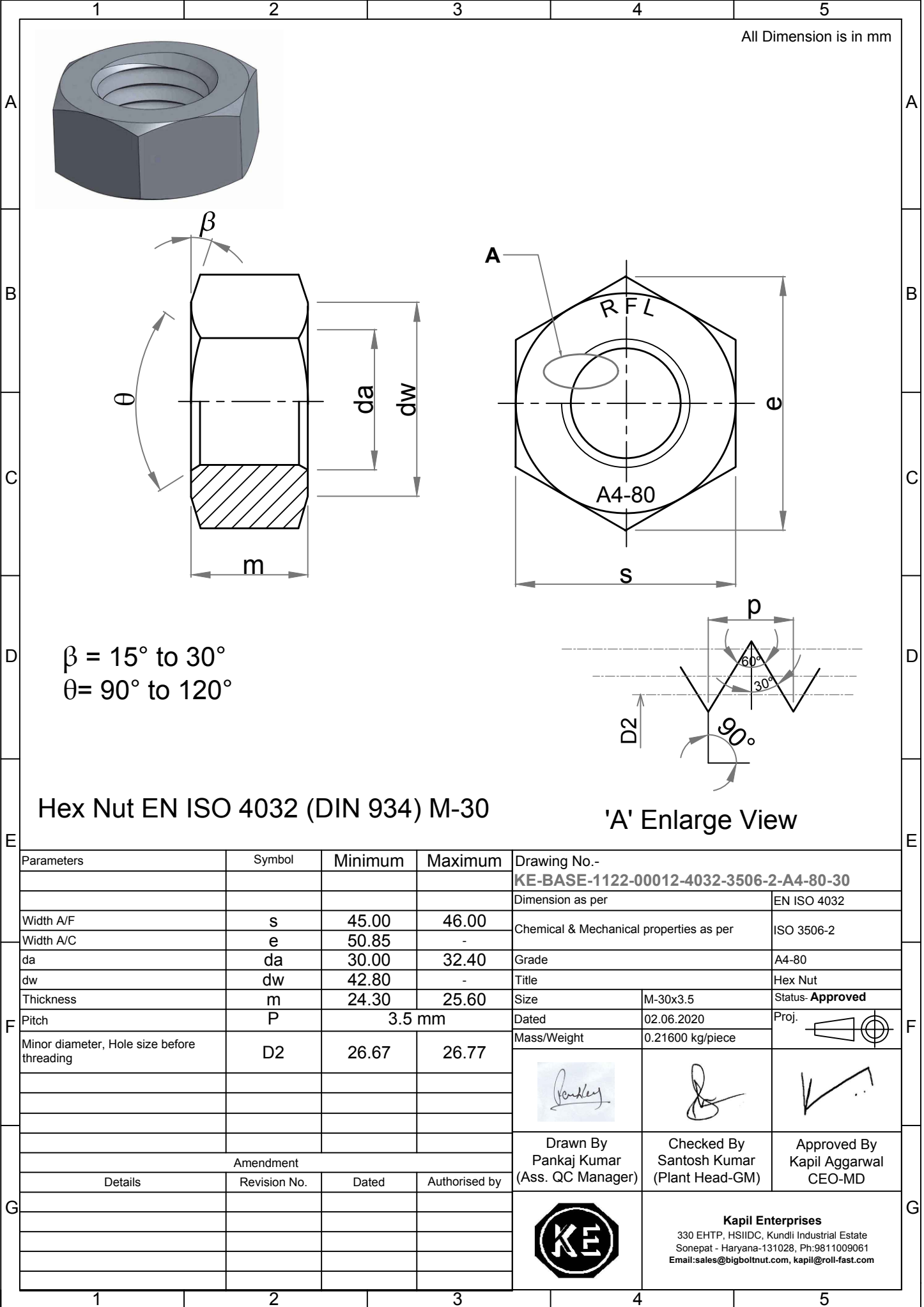


Note: This Drawing is the property of Kapil Enterprises-Kundli, and must not be copied or reproduced without permission or Written authorisation by Kapil Enterprises-Kundli



All Dimension is in mm

$\beta = 15^\circ \text{ to } 30^\circ$   
 $\theta = 90^\circ \text{ to } 120^\circ$

**Hex Nut EN ISO 4032 (DIN 934) M-30**

'A' Enlarge View

Parameters	Symbol	Minimum	Maximum	Drawing No.- KE-BASE-1122-00012-4032-3506-2-A4-80-30	
				Dimension as per EN ISO 4032	
Width A/F	s	45.00	46.00	Chemical & Mechanical properties as per ISO 3506-2	
Width A/C	e	50.85	-	Grade A4-80	
da	da	30.00	32.40	Title Hex Nut	
dw	dw	42.80	-	Size M-30x3.5	
Thickness	m	24.30	25.60	Status- <b>Approved</b>	
Pitch	P	3.5 mm		Dated	02.06.2020
Minor diameter, Hole size before threading	D2	26.67	26.77	Mass/Weight	0.21600 kg/piece
Amendment				Proj.	
Details	Revision No.	Dated	Authorised by	 Drawn By Pankaj Kumar (Ass. QC Manager)	 Checked By Santosh Kumar (Plant Head-GM)
				 Approved By Kapil Aggarwal CEO-MD	
				 <b>Kapil Enterprises</b> 330 EHTP, HSIIDC, Kundli Industrial Estate Sonapat - Haryana-131028, Ph:9811009061 Email:sales@bigboltnut.com, kapil@roll-fast.com	