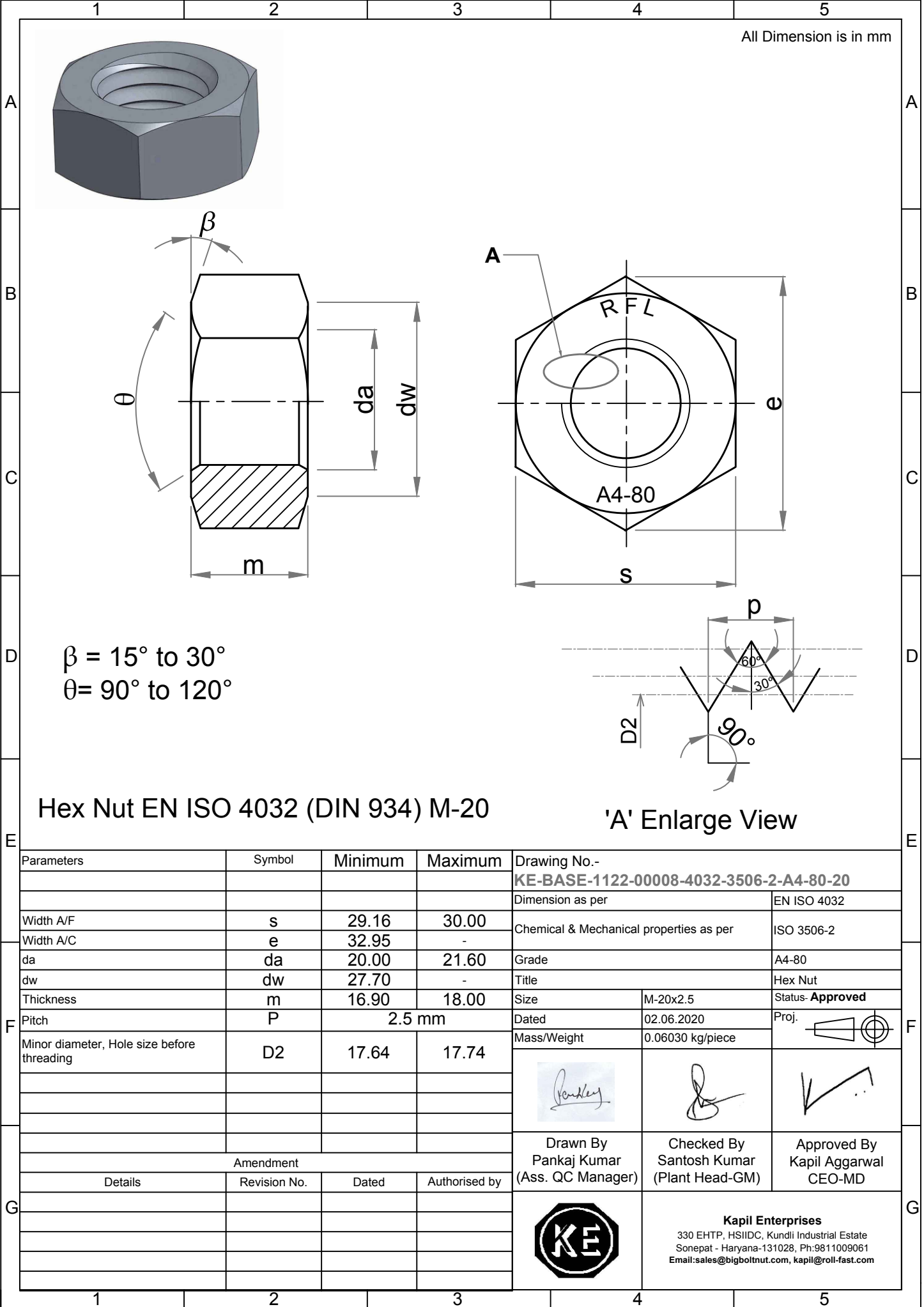


Note: This Drawing is the property of Kapil Enterprises-Kundli, and must not be copied or reproduced without permission or Written authorisation by Kapil Enterprises-Kundli



All Dimension is in mm

$\beta = 15^\circ \text{ to } 30^\circ$   
 $\theta = 90^\circ \text{ to } 120^\circ$

**Hex Nut EN ISO 4032 (DIN 934) M-20**

'A' Enlarge View

Parameters	Symbol	Minimum	Maximum	Drawing No.- KE-BASE-1122-00008-4032-3506-2-A4-80-20	
				Dimension as per	EN ISO 4032
Width A/F	s	29.16	30.00	Chemical & Mechanical properties as per	ISO 3506-2
Width A/C	e	32.95	-	Grade	A4-80
da	da	20.00	21.60	Title	Hex Nut
dw	dw	27.70	-	Size	M-20x2.5
Thickness	m	16.90	18.00	Status-	<b>Approved</b>
Pitch	P	2.5 mm		Dated	02.06.2020
Minor diameter, Hole size before threading	D2	17.64	17.74	Mass/Weight	0.06030 kg/piece
				Proj.	
				<div style="display: flex; justify-content: space-around;"> <div style="text-align: center;">             Drawn By  <b>Pankaj Kumar</b>            (Ass. QC Manager)         </div> <div style="text-align: center;">             Checked By  <b>Santosh Kumar</b>            (Plant Head-GM)         </div> <div style="text-align: center;">             Approved By  <b>Kapil Aggarwal</b>            CEO-MD         </div> </div>	
Amendment				 <b>Kapil Enterprises</b> 330 EHTP, HSIIDC, Kundli Industrial Estate Sonapat - Haryana-131028, Ph:9811009061 Email:sales@bigboltnut.com, kapil@roll-fast.com	
Details	Revision No.	Dated	Authorised by		