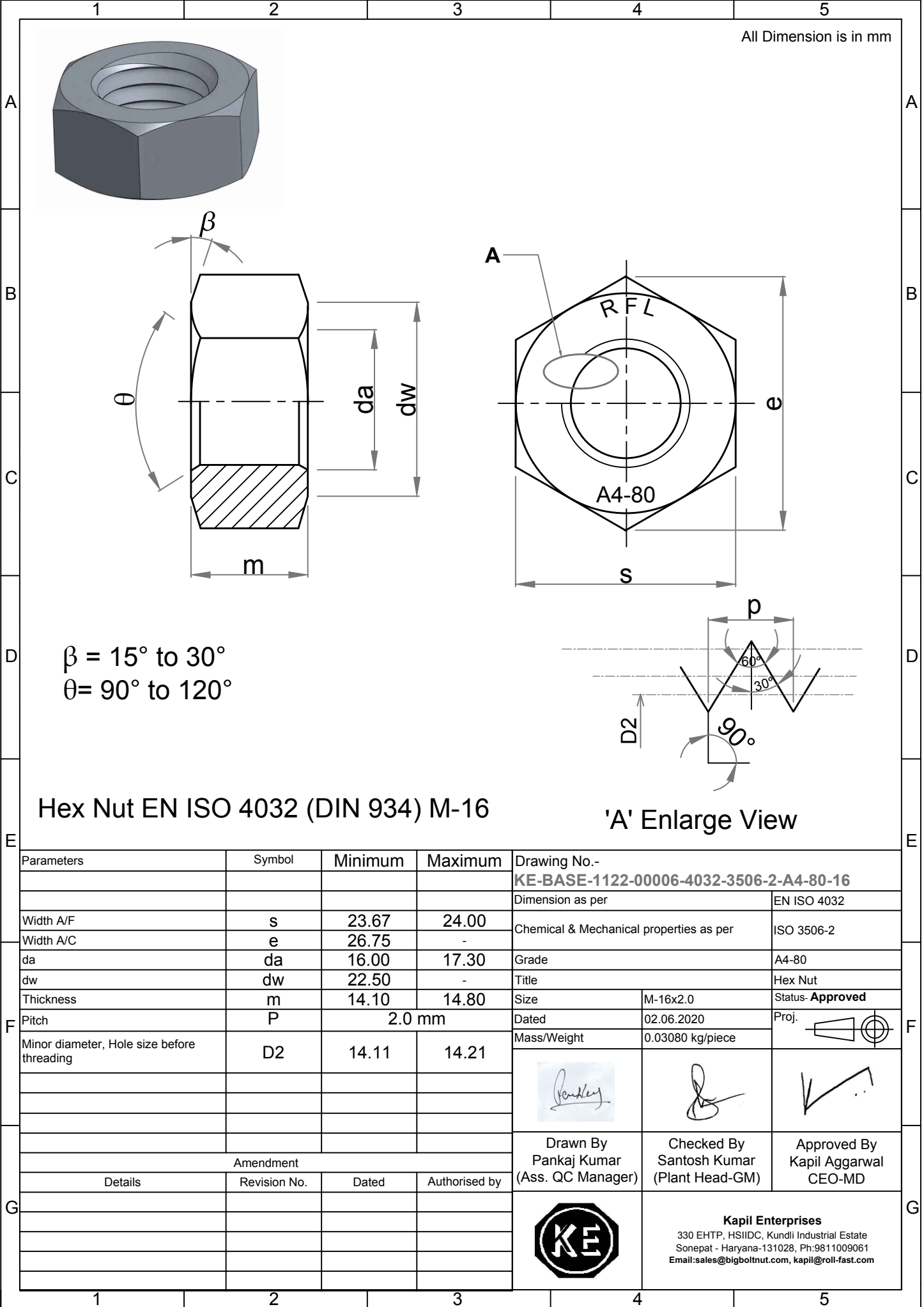


Note: This Drawing is the property of Kapil Enterprises-Kundli, and must not be copied or reproduced without permission or Written authorisation by Kapil Enterprises-Kundli



All Dimension is in mm

$\beta = 15^\circ \text{ to } 30^\circ$
 $\theta = 90^\circ \text{ to } 120^\circ$

Hex Nut EN ISO 4032 (DIN 934) M-16

'A' Enlarge View

Parameters		Symbol	Minimum	Maximum	Drawing No.- KE-BASE-1122-00006-4032-3506-2-A4-80-16				
					Dimension as per	EN ISO 4032			
Width A/F	s	23.67	24.00	Chemical & Mechanical properties as per		ISO 3506-2			
Width A/C	e	26.75	-	Grade		A4-80			
da	da	16.00	17.30	Title		Hex Nut			
dw	dw	22.50	-	Size	M-16x2.0	Status- Approved			
Thickness	m	14.10	14.80	Dated	02.06.2020	Proj.			
Pitch	P	2.0 mm		Mass/Weight	0.03080 kg/piece				
Minor diameter, Hole size before threading	D2	14.11	14.21	<div style="display: flex; justify-content: space-around;"> <div style="text-align: center;"> Drawn By Pankaj Kumar (Ass. QC Manager) </div> <div style="text-align: center;"> Checked By Santosh Kumar (Plant Head-GM) </div> <div style="text-align: center;"> Approved By Kapil Aggarwal CEO-MD </div> </div>					
Amendment									
Details	Revision No.	Dated	Authorised by						
				Kapil Enterprises 330 EHTP, HSIIDC, Kundli Industrial Estate Sonapat - Haryana-131028, Ph:9811009061 Email:sales@bigboltnut.com, kapil@roll-fast.com					