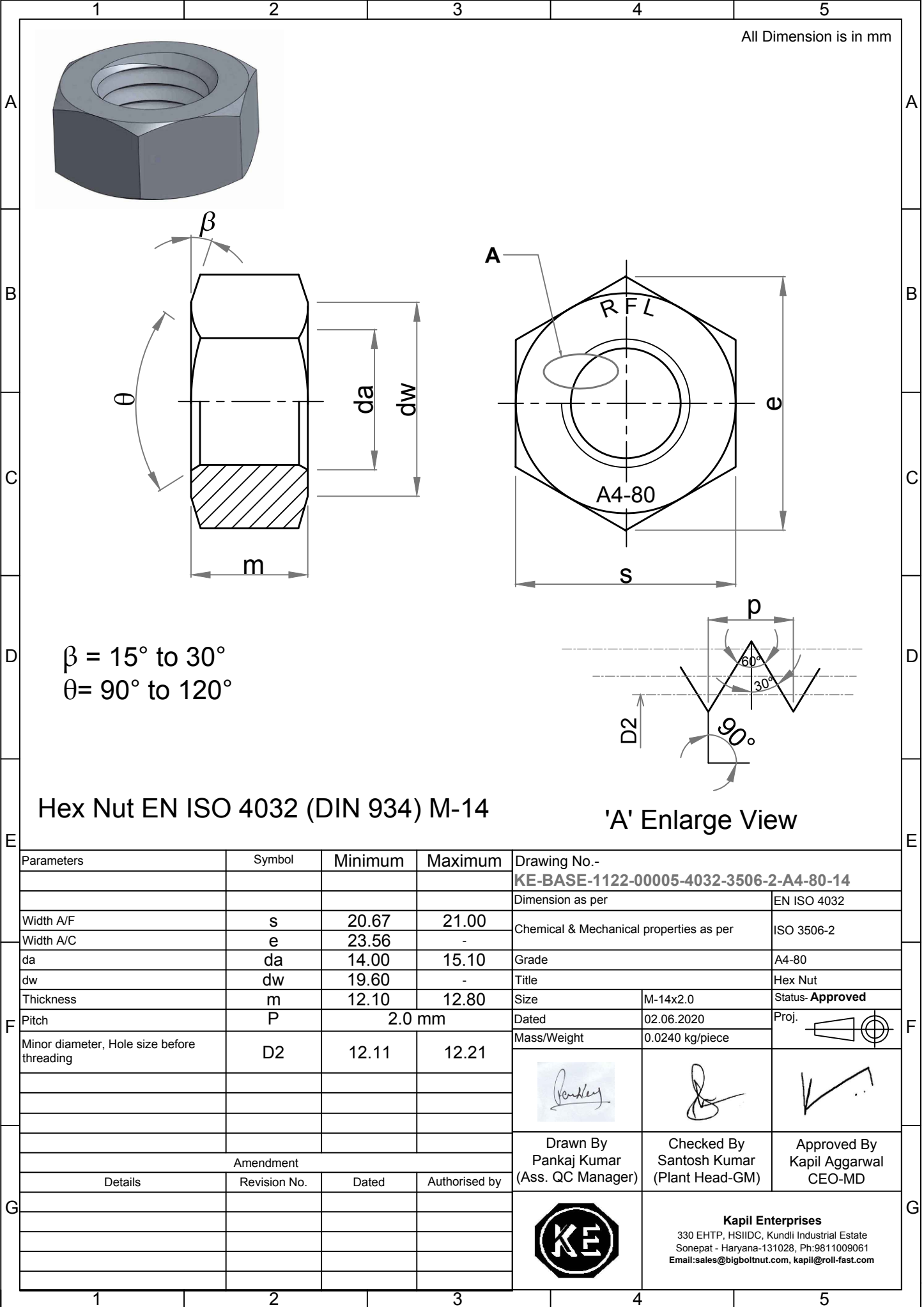


Note: This Drawing is the property of Kapil Enterprises-Kundli, and must not be copied or reproduced without permission or Written authorisation by Kapil Enterprises-Kundli



All Dimension is in mm

$\beta = 15^\circ \text{ to } 30^\circ$   
 $\theta = 90^\circ \text{ to } 120^\circ$

**Hex Nut EN ISO 4032 (DIN 934) M-14**

**'A' Enlarge View**

Parameters		Symbol	Minimum	Maximum	Drawing No.- <b>KE-BASE-1122-00005-4032-3506-2-A4-80-14</b>		
					Dimension as per		EN ISO 4032
Width A/F		s	20.67	21.00	Chemical & Mechanical properties as per		ISO 3506-2
Width A/C		e	23.56	-	Grade		A4-80
da		da	14.00	15.10	Title		Hex Nut
dw		dw	19.60	-	Size		M-14x2.0
Thickness		m	12.10	12.80	Status-		<b>Approved</b>
Pitch		P	2.0 mm		Dated	02.06.2020	Proj.
Minor diameter, Hole size before threading		D2	12.11	12.21	Mass/Weight	0.0240 kg/piece	
Amendment					Drawn By	Checked By	Approved By
Details	Revision No.	Dated	Authorised by		Pankaj Kumar (Ass. QC Manager)	Santosh Kumar (Plant Head-GM)	Kapil Aggarwal CEO-MD
					<p><b>Kapil Enterprises</b>            330 EHTP, HSIIDC, Kundli Industrial Estate            Sonapat - Haryana-131028, Ph:9811009061            Email:sales@bigboltnut.com, kapil@roll-fast.com</p>		