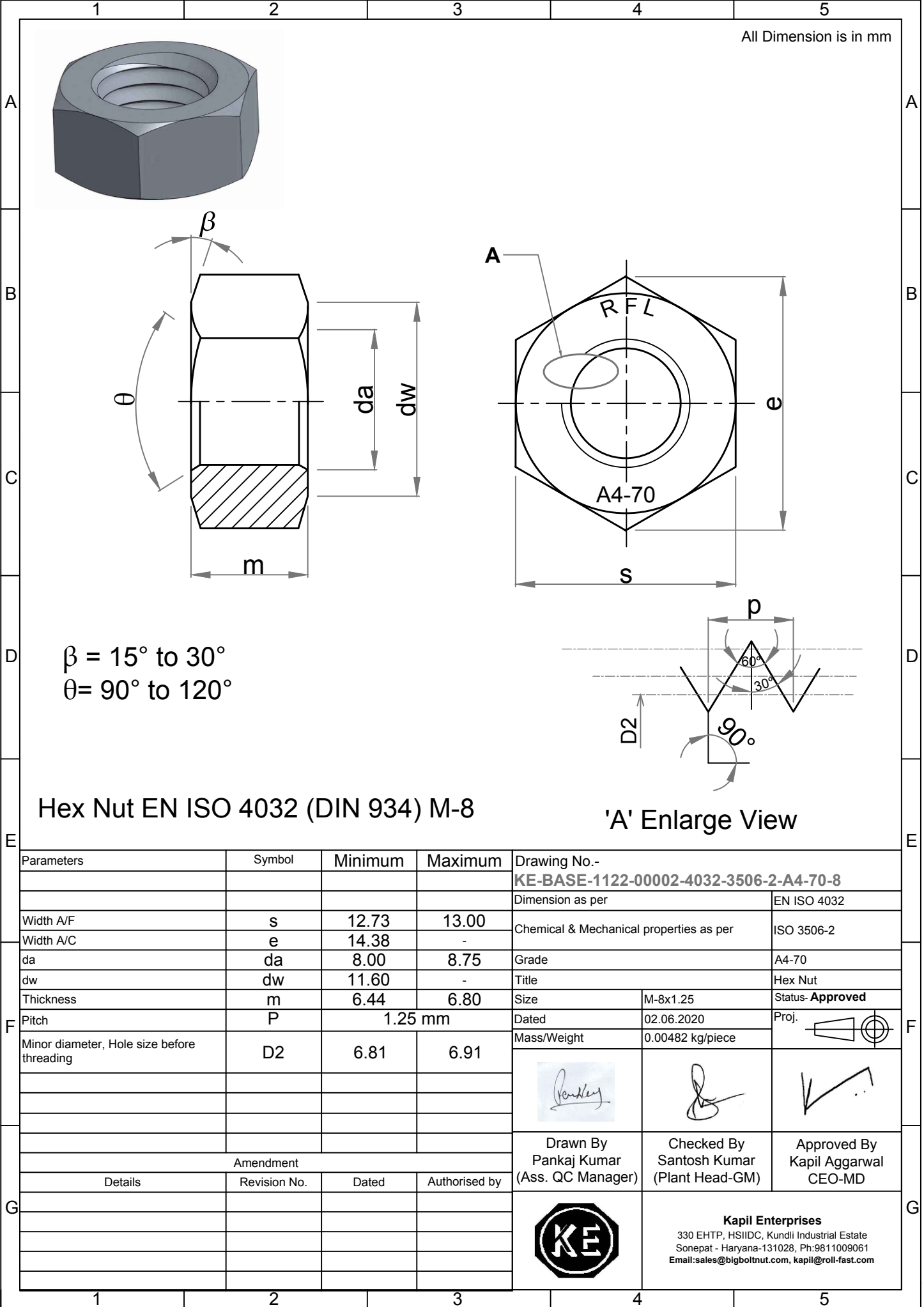


Note: This Drawing is the property of Kapil Enterprises-Kundli, and must not be copied or reproduced without permission or Written authorisation by Kapil Enterprises-Kundli



All Dimension is in mm

$\beta = 15^\circ \text{ to } 30^\circ$   
 $\theta = 90^\circ \text{ to } 120^\circ$

**Hex Nut EN ISO 4032 (DIN 934) M-8**

**'A' Enlarge View**

Parameters		Symbol	Minimum	Maximum	Drawing No.- <b>KE-BASE-1122-00002-4032-3506-2-A4-70-8</b>		
					Dimension as per		EN ISO 4032
Width A/F		s	12.73	13.00	Chemical & Mechanical properties as per		ISO 3506-2
Width A/C		e	14.38	-	Grade		A4-70
da		da	8.00	8.75	Title		Hex Nut
dw		dw	11.60	-	Size	M-8x1.25	Status- <b>Approved</b>
Thickness		m	6.44	6.80	Dated	02.06.2020	Proj.
Pitch		P	1.25 mm		Mass/Weight	0.00482 kg/piece	
Minor diameter, Hole size before threading		D2	6.81	6.91	<div style="display: flex; justify-content: space-around;"> <div style="text-align: center;"> Drawn By Pankaj Kumar (Ass. QC Manager)</div> <div style="text-align: center;"> Checked By Santosh Kumar (Plant Head-GM)</div> <div style="text-align: center;"> Approved By Kapil Aggarwal CEO-MD</div> </div>		
Amendment							
Details	Revision No.	Dated	Authorised by				
G					<p><b>Kapil Enterprises</b>          330 EHTP, HSIIDC, Kundli Industrial Estate          Sonapat - Haryana-131028, Ph:9811009061          Email:sales@bigboltnut.com, kapil@roll-fast.com</p>		