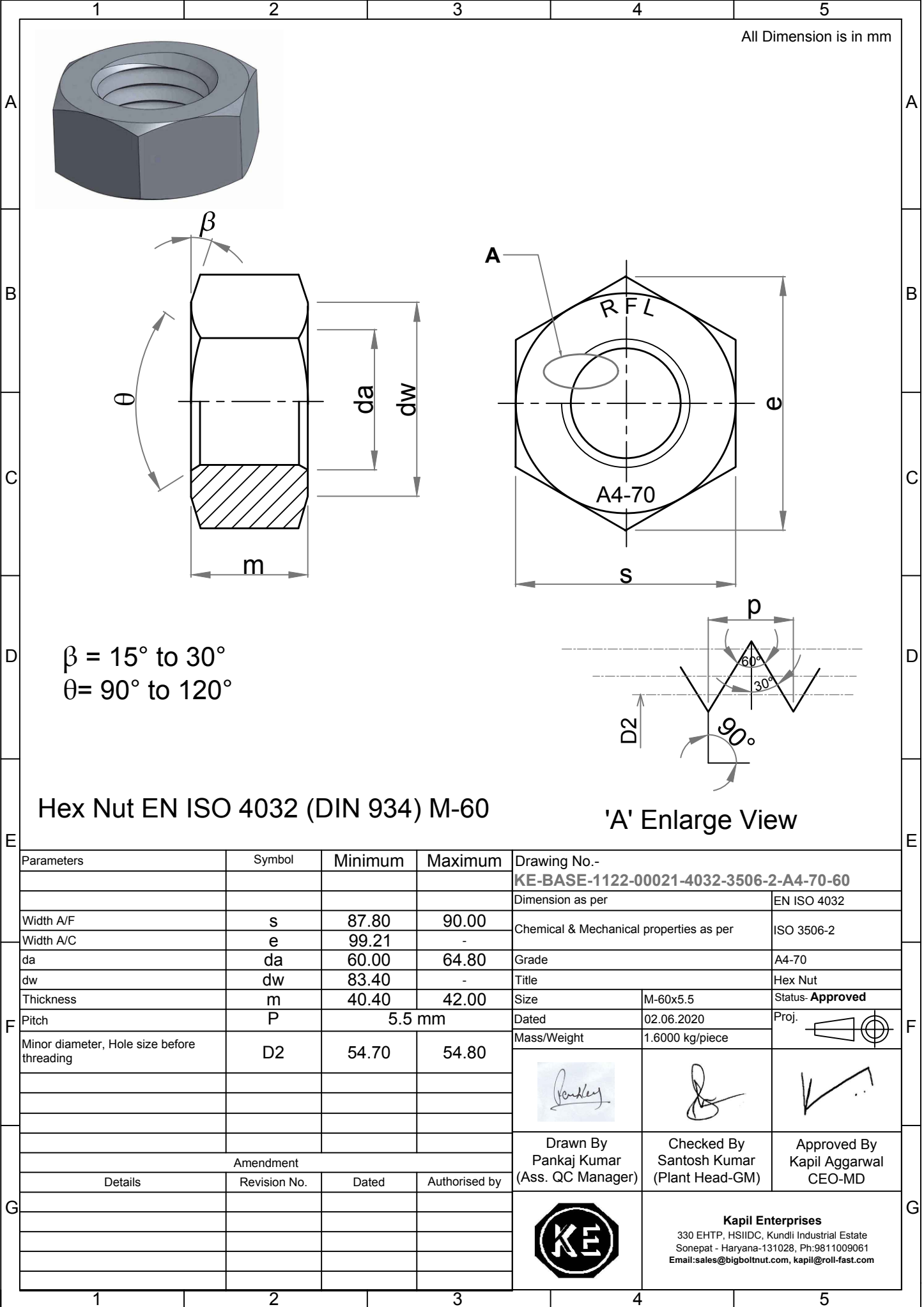


Note: This Drawing is the property of Kapil Enterprises-Kundli, and must not be copied or reproduced without permission or Written authorisation by Kapil Enterprises-Kundli



All Dimension is in mm

$\beta = 15^\circ \text{ to } 30^\circ$
 $\theta = 90^\circ \text{ to } 120^\circ$

Hex Nut EN ISO 4032 (DIN 934) M-60

'A' Enlarge View

| | | | | | | | | | |
|--|--------------|--------|---------------|--|--|--|--|--|--|
| Parameters | | Symbol | Minimum | Maximum | Drawing No.- KE-BASE-1122-00021-4032-3506-2-A4-70-60 | | | | |
| | | | | | Dimension as per EN ISO 4032 | | | | |
| Width A/F | s | 87.80 | 90.00 | Chemical & Mechanical properties as per | | ISO 3506-2 | | | |
| Width A/C | e | 99.21 | - | Grade | | A4-70 | | | |
| da | da | 60.00 | 64.80 | Title | | Hex Nut | | | |
| dw | dw | 83.40 | - | Size | M-60x5.5 | Status- Approved | | | |
| Thickness | m | 40.40 | 42.00 | Dated | 02.06.2020 | Proj. | | | |
| Pitch | P | 5.5 mm | | Mass/Weight | 1.6000 kg/piece | | | | |
| Minor diameter, Hole size before threading | D2 | 54.70 | 54.80 | <div style="display: flex; justify-content: space-around;"> <div style="text-align: center;"></div> <div style="text-align: center;"></div> <div style="text-align: center;"></div> </div> | | | | | |
| Amendment | | | | | | | | | |
| Details | Revision No. | Dated | Authorised by | | | | | | |
| | | | | Drawn By Pankaj Kumar (Ass. QC Manager) | | Checked By Santosh Kumar (Plant Head-GM) | | | |
| | | | | | | Kapil Enterprises 330 EHTP, HSIIDC, Kundli Industrial Estate Sonapat - Haryana-131028, Ph:9811009061 Email:sales@bigboltnut.com, kapil@roll-fast.com | | | |
| | | | | | | | | | |
| | | | | | | | | | |