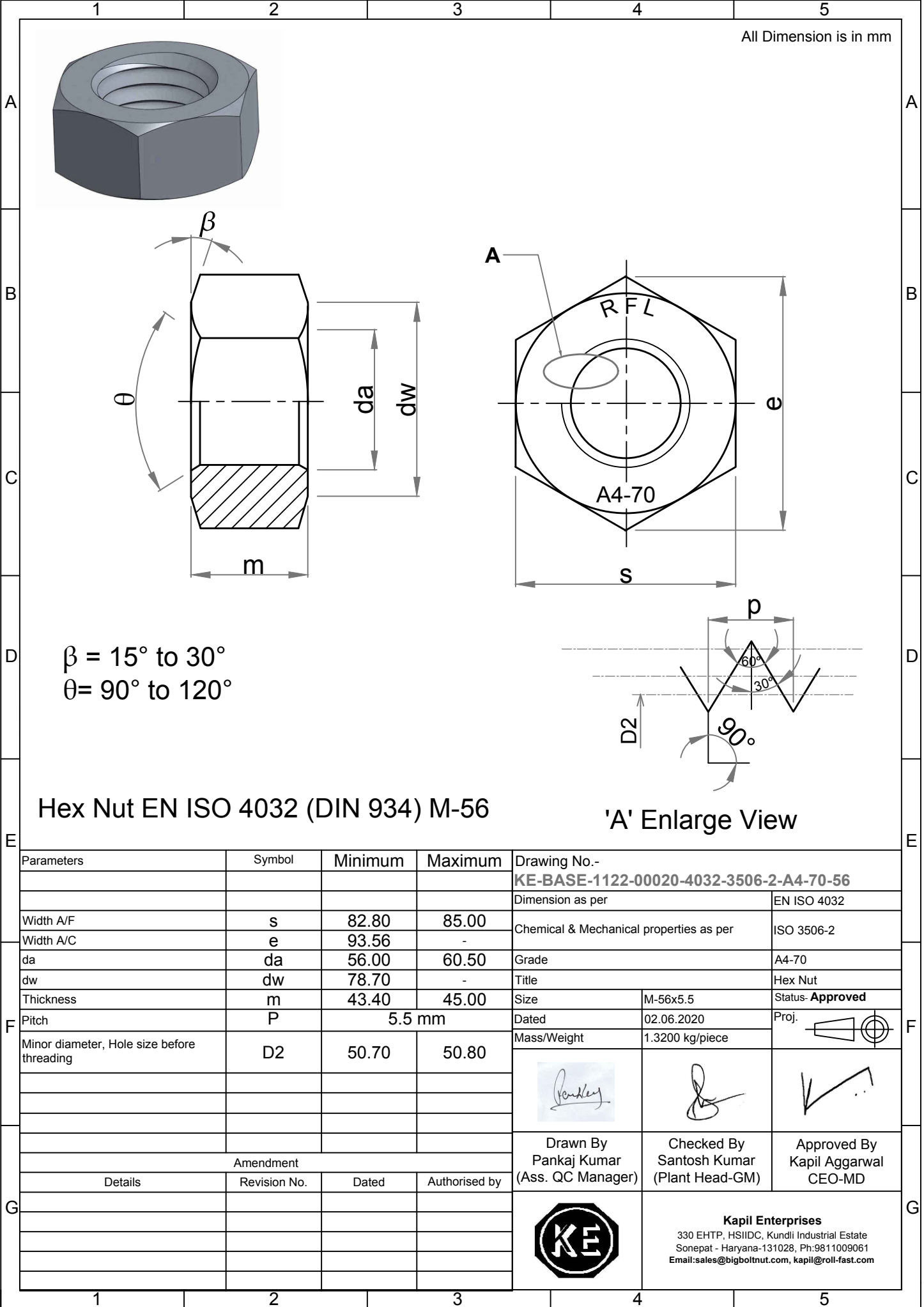


Note: This Drawing is the property of Kapil Enterprises-Kundli, and must not be copied or reproduced without permission or Written authorisation by Kapil Enterprises-Kundli



All Dimension is in mm

$\beta = 15^\circ \text{ to } 30^\circ$
 $\theta = 90^\circ \text{ to } 120^\circ$

Hex Nut EN ISO 4032 (DIN 934) M-56

'A' Enlarge View

Parameters		Symbol	Minimum	Maximum	Drawing No.- KE-BASE-1122-00020-4032-3506-2-A4-70-56				
					Dimension as per EN ISO 4032				
Width A/F	s	82.80	85.00	Chemical & Mechanical properties as per		ISO 3506-2			
Width A/C	e	93.56	-	Grade		A4-70			
da	da	56.00	60.50	Title		Hex Nut			
dw	dw	78.70	-	Size	M-56x5.5	Status- Approved			
Thickness	m	43.40	45.00	Dated	02.06.2020	Proj.			
Pitch	P	5.5 mm		Mass/Weight	1.3200 kg/piece				
Minor diameter, Hole size before threading	D2	50.70	50.80	<div style="display: flex; justify-content: space-around;"> <div style="text-align: center;"></div> <div style="text-align: center;"></div> <div style="text-align: center;"></div> </div>					
Amendment									
Details	Revision No.	Dated	Authorised by						
				Drawn By Pankaj Kumar (Ass. QC Manager)		Checked By Santosh Kumar (Plant Head-GM)			
						Kapil Enterprises 330 EHTP, HSIIDC, Kundli Industrial Estate Sonapat - Haryana-131028, Ph:9811009061 Email:sales@bigboltnut.com, kapil@roll-fast.com			