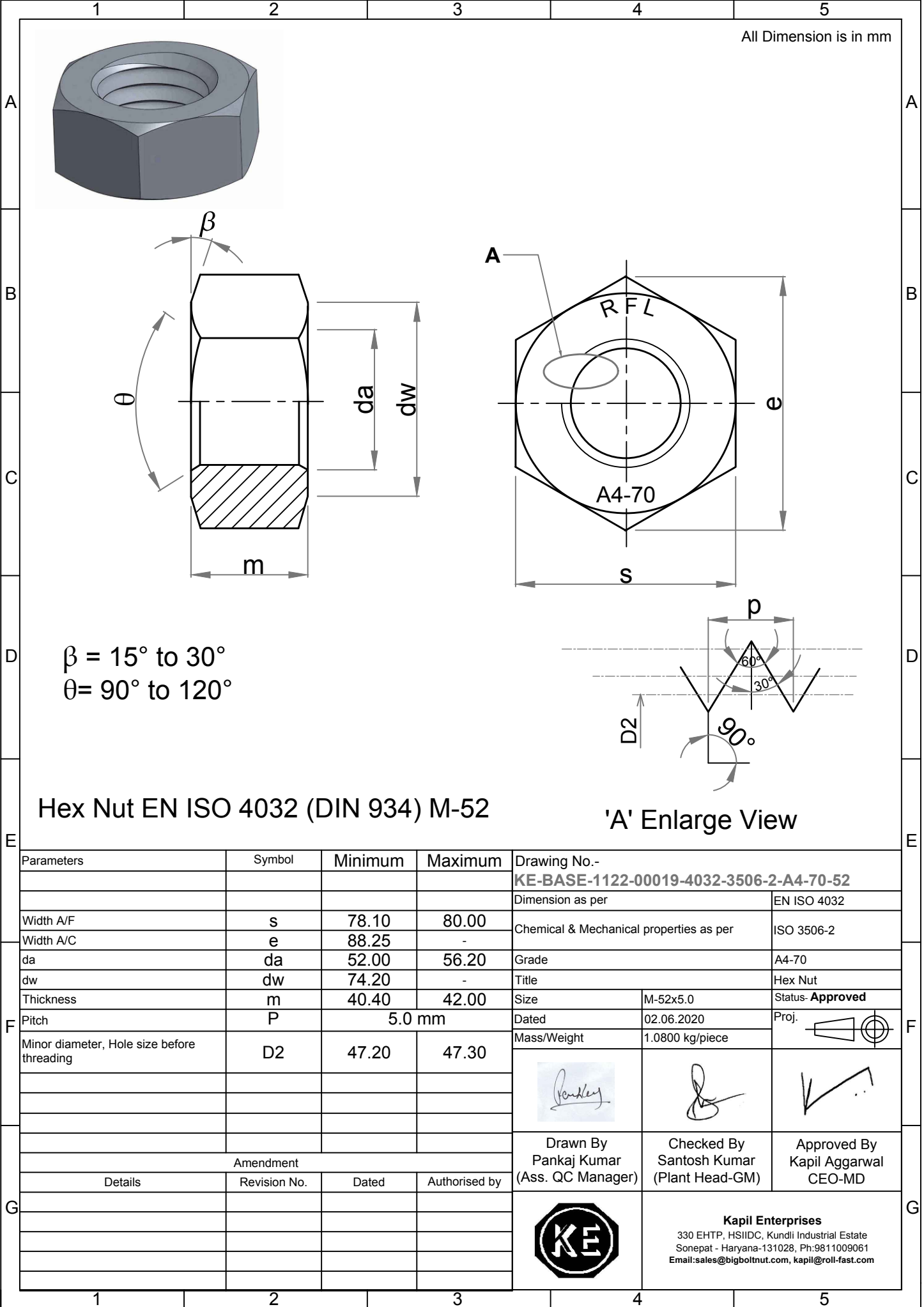


Note: This Drawing is the property of Kapil Enterprises-Kundli, and must not be copied or reproduced without permission or Written authorisation by Kapil Enterprises-Kundli



All Dimension is in mm

$\beta = 15^\circ \text{ to } 30^\circ$   
 $\theta = 90^\circ \text{ to } 120^\circ$

Hex Nut EN ISO 4032 (DIN 934) M-52

'A' Enlarge View

Parameters		Symbol	Minimum	Maximum	Drawing No.- <b>KE-BASE-1122-00019-4032-3506-2-A4-70-52</b>		
					Dimension as per		EN ISO 4032
Width A/F		s	78.10	80.00	Chemical & Mechanical properties as per		ISO 3506-2
Width A/C		e	88.25	-	Grade		A4-70
da		da	52.00	56.20	Title		Hex Nut
dw		dw	74.20	-	Size	M-52x5.0	Status- <b>Approved</b>
Thickness		m	40.40	42.00	Dated	02.06.2020	Proj.
Pitch		P	5.0 mm		Mass/Weight	1.0800 kg/piece	
Minor diameter, Hole size before threading		D2	47.20	47.30	  		
Amendment							
Details	Revision No.	Dated	Authorised by		Drawn By Pankaj Kumar (Ass. QC Manager)	Checked By Santosh Kumar (Plant Head-GM)	Approved By Kapil Aggarwal CEO-MD
					 <b>Kapil Enterprises</b> 330 EHTP, HSIIDC, Kundli Industrial Estate Sonapat - Haryana-131028, Ph:9811009061 Email:sales@bigboltnut.com, kapil@roll-fast.com		