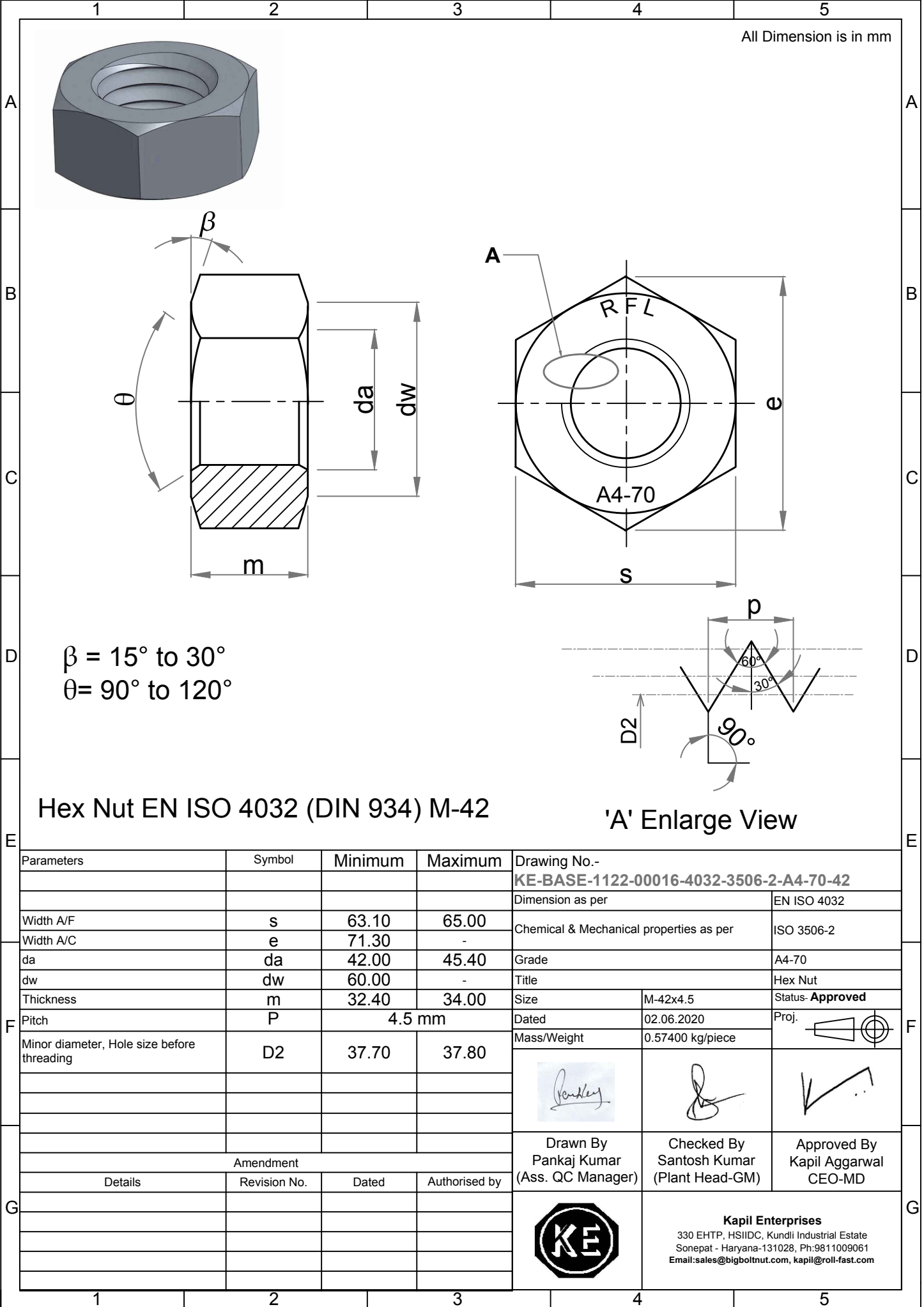


Note: This Drawing is the property of Kapil Enterprises-Kundli, and must not be copied or reproduced without permission or Written authorisation by Kapil Enterprises-Kundli



All Dimension is in mm

$\beta = 15^\circ \text{ to } 30^\circ$
 $\theta = 90^\circ \text{ to } 120^\circ$

Hex Nut EN ISO 4032 (DIN 934) M-42

'A' Enlarge View

Parameters		Symbol	Minimum	Maximum	Drawing No.- KE-BASE-1122-00016-4032-3506-2-A4-70-42			
					Dimension as per		EN ISO 4032	
Width A/F		s	63.10	65.00	Chemical & Mechanical properties as per		ISO 3506-2	
Width A/C		e	71.30	-	Grade		A4-70	
da		da	42.00	45.40	Title		Hex Nut	
dw		dw	60.00	-	Size		M-42x4.5	
Thickness		m	32.40	34.00	Status-		Approved	
Pitch		P	4.5 mm		Dated		02.06.2020	
Minor diameter, Hole size before threading		D2	37.70	37.80	Mass/Weight		0.57400 kg/piece	
					Proj.			
					 Drawn By Pankaj Kumar (Ass. QC Manager)		 Checked By Santosh Kumar (Plant Head-GM)	
					 Approved By Kapil Aggarwal CEO-MD			
Amendment					 Kapil Enterprises 330 EHTP, HSIIDC, Kundli Industrial Estate Sonapat - Haryana-131028, Ph:9811009061 Email:sales@bigboltnut.com, kapil@roll-fast.com			
Details	Revision No.	Dated	Authorised by					