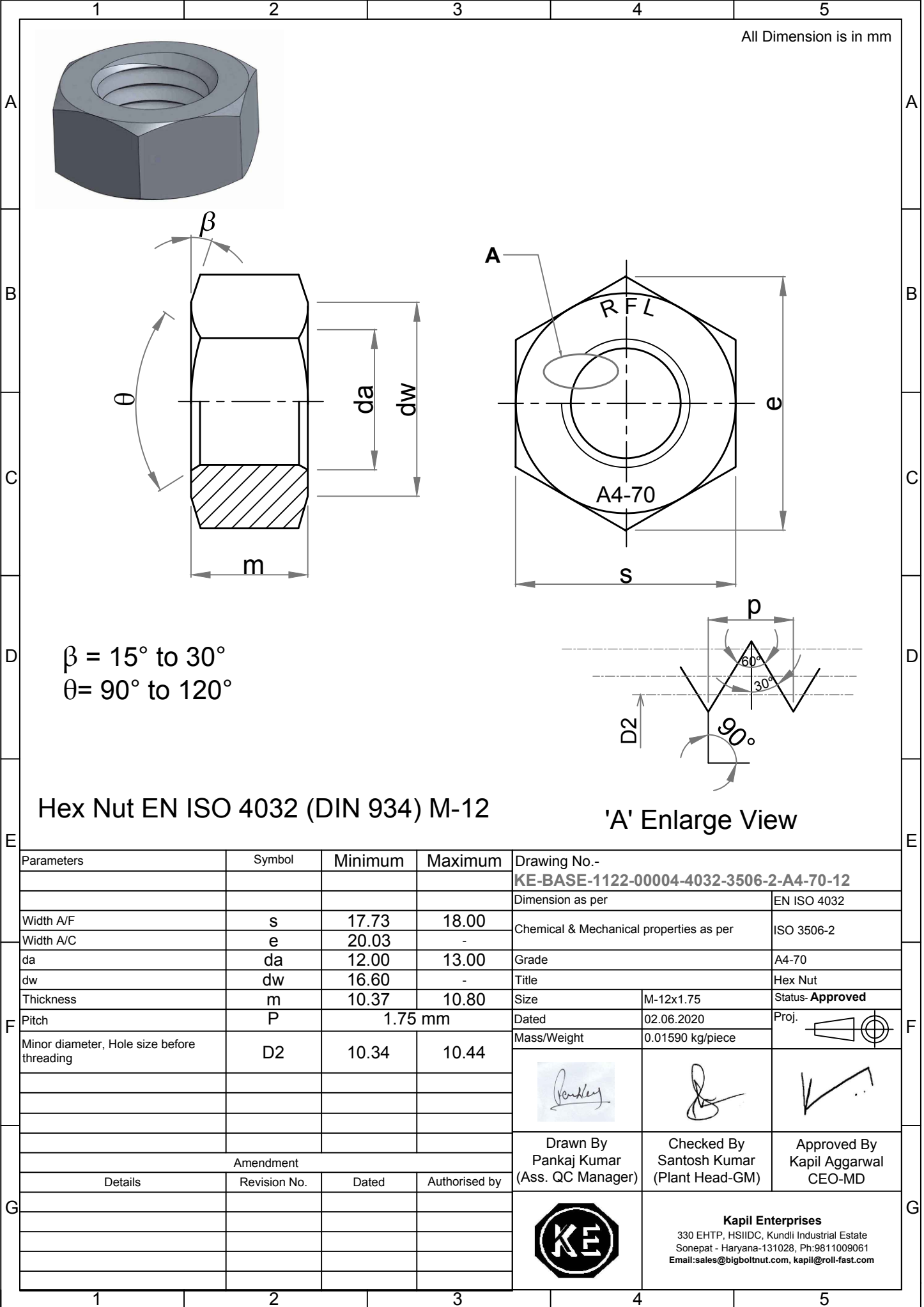


Note: This Drawing is the property of Kapil Enterprises-Kundli, and must not be copied or reproduced without permission or Written authorisation by Kapil Enterprises-Kundli



All Dimension is in mm

$\beta = 15^\circ \text{ to } 30^\circ$
 $\theta = 90^\circ \text{ to } 120^\circ$

Hex Nut EN ISO 4032 (DIN 934) M-12

'A' Enlarge View

Parameters		Symbol	Minimum	Maximum	Drawing No.- KE-BASE-1122-00004-4032-3506-2-A4-70-12	
					Dimension as per	EN ISO 4032
Width A/F		s	17.73	18.00	Chemical & Mechanical properties as per ISO 3506-2	
Width A/C		e	20.03	-	Grade A4-70	
da		da	12.00	13.00	Title Hex Nut	
dw		dw	16.60	-	Size M-12x1.75	
Thickness		m	10.37	10.80	Status- Approved	
Pitch		P	1.75 mm		Dated	02.06.2020
Minor diameter, Hole size before threading		D2	10.34	10.44	Mass/Weight	0.01590 kg/piece
					Proj.	
Amendment					Drawn By Pankaj Kumar (Ass. QC Manager) Checked By Santosh Kumar (Plant Head-GM) Approved By Kapil Aggarwal CEO-MD	
Details		Revision No.	Dated	Authorised by	 Kapil Enterprises 330 EHTP, HSIIDC, Kundli Industrial Estate Sonapat - Haryana-131028, Ph:9811009061 Email:sales@bigboltnut.com, kapil@roll-fast.com	