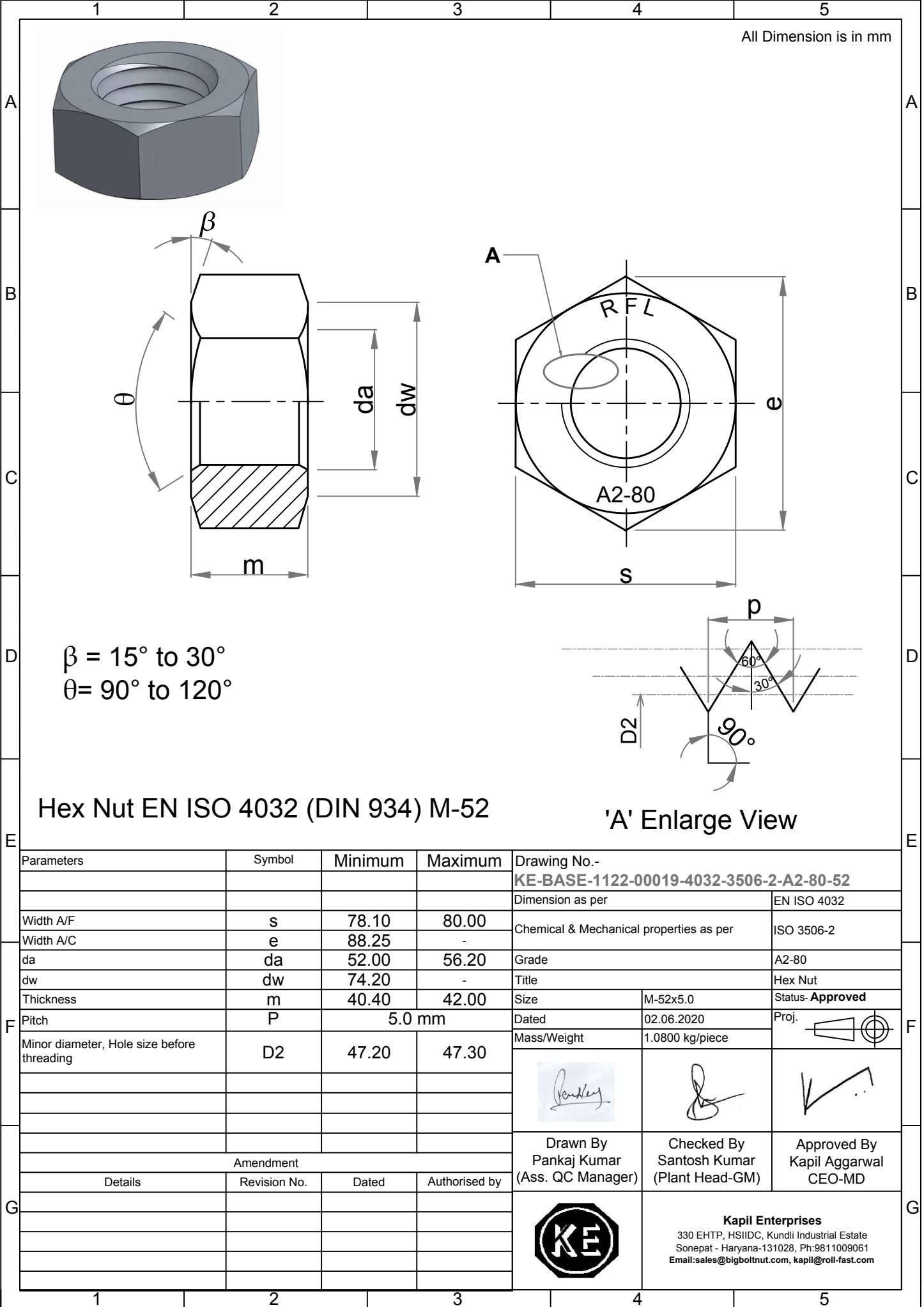


Note: This Drawing is the property of Kapil Enterprises-Kundli, and must not be copied or reproduced without permission or Written authorisation by Kapil Enterprises-Kundli



All Dimension is in mm

$\beta = 15^\circ \text{ to } 30^\circ$
 $\theta = 90^\circ \text{ to } 120^\circ$

Hex Nut EN ISO 4032 (DIN 934) M-52

'A' Enlarge View

Parameters	Symbol	Minimum	Maximum	Drawing No.- KE-BASE-1122-00019-4032-3506-2-A2-80-52	
				Dimension as per EN ISO 4032	
Width A/F	s	78.10	80.00	Chemical & Mechanical properties as per ISO 3506-2	
Width A/C	e	88.25	-	Grade A2-80	
da	da	52.00	56.20	Title Hex Nut	
dw	dw	74.20	-	Size M-52x5.0	
Thickness	m	40.40	42.00	Status- Approved	
Pitch	P	5.0 mm		Dated	02.06.2020
Minor diameter, Hole size before threading	D2	47.20	47.30	Mass/Weight	1.0800 kg/piece
				Proj.	
				<div style="display: flex; justify-content: space-around;"> <div style="text-align: center;"> Drawn By Pankaj Kumar (Ass. QC Manager) </div> <div style="text-align: center;"> Checked By Santosh Kumar (Plant Head-GM) </div> <div style="text-align: center;"> Approved By Kapil Aggarwal CEO-MD </div> </div>	
Amendment				 Kapil Enterprises 330 EHTP, HSIIDC, Kundli Industrial Estate Sonapat - Haryana-131028, Ph:9811009061 Email:sales@bigboltnut.com, kapil@roll-fast.com	
Details	Revision No.	Dated	Authorised by		