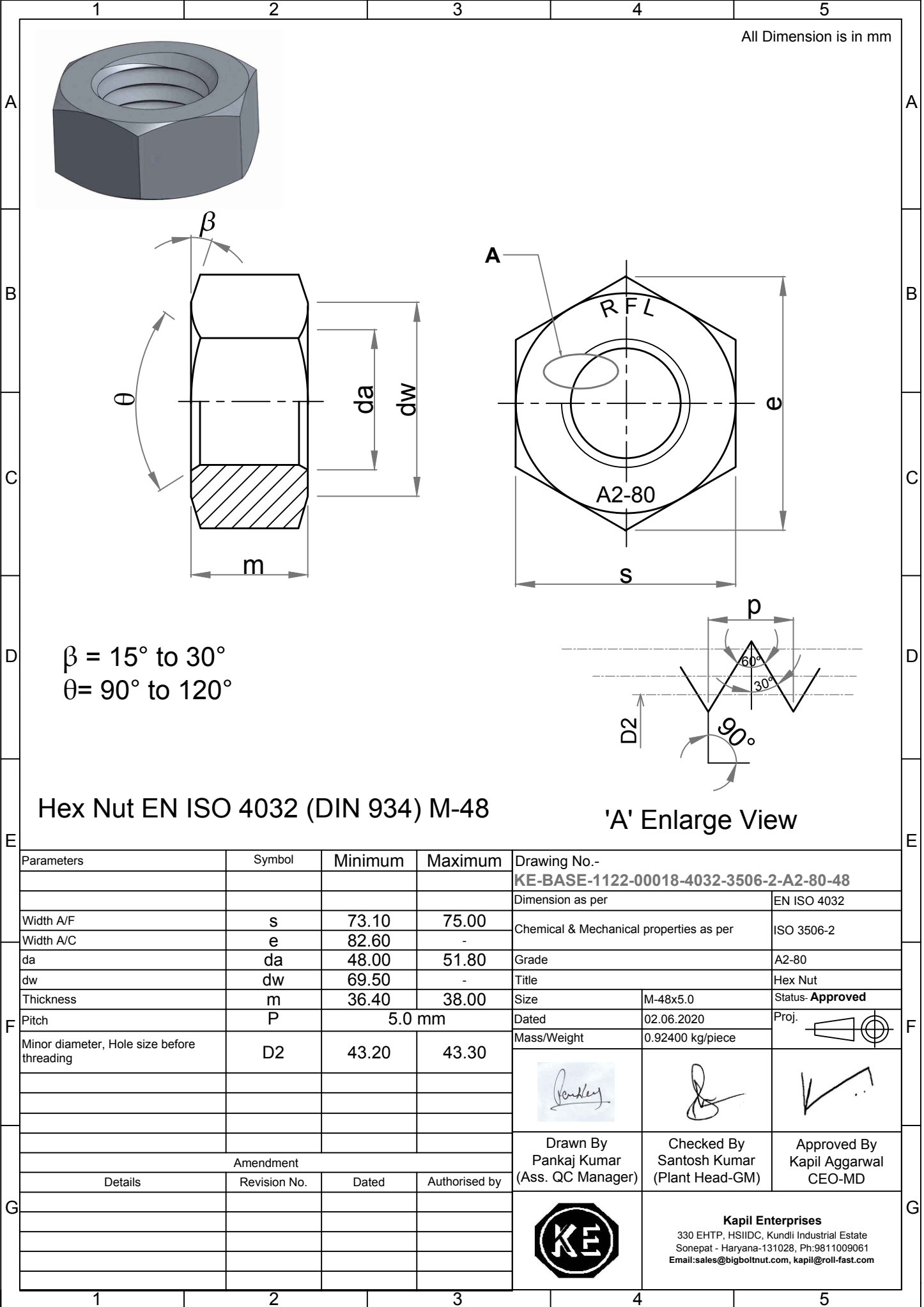


Note: This Drawing is the property of Kapil Enterprises-Kundli, and must not be copied or reproduced without permission or Written authorisation by Kapil Enterprises-Kundli



All Dimension is in mm

$\beta = 15^\circ \text{ to } 30^\circ$   
 $\theta = 90^\circ \text{ to } 120^\circ$

**Hex Nut EN ISO 4032 (DIN 934) M-48**

'A' Enlarge View

Parameters		Symbol	Minimum	Maximum	Drawing No.- <b>KE-BASE-1122-00018-4032-3506-2-A2-80-48</b>					
					Dimension as per		EN ISO 4032			
Width A/F		s	73.10	75.00	Chemical & Mechanical properties as per		ISO 3506-2			
Width A/C		e	82.60	-	Grade		A2-80			
da		da	48.00	51.80	Title		Hex Nut			
dw		dw	69.50	-	Size	M-48x5.0	Status- <b>Approved</b>			
Thickness		m	36.40	38.00	Dated	02.06.2020	Proj.			
Pitch		P	5.0 mm		Mass/Weight	0.92400 kg/piece				
Minor diameter, Hole size before threading		D2	43.20	43.30	<div style="display: flex; justify-content: space-around;"> <div style="text-align: center;"></div> <div style="text-align: center;"></div> <div style="text-align: center;"></div> </div>					
Amendment										
Details	Revision No.	Dated	Authorised by							
					Drawn By Pankaj Kumar (Ass. QC Manager)		Checked By Santosh Kumar (Plant Head-GM)			
							<b>Kapil Enterprises</b> 330 EHTP, HSIIDC, Kundli Industrial Estate Sonapat - Haryana-131028, Ph:9811009061 Email:sales@bigboltnut.com, kapil@roll-fast.com			