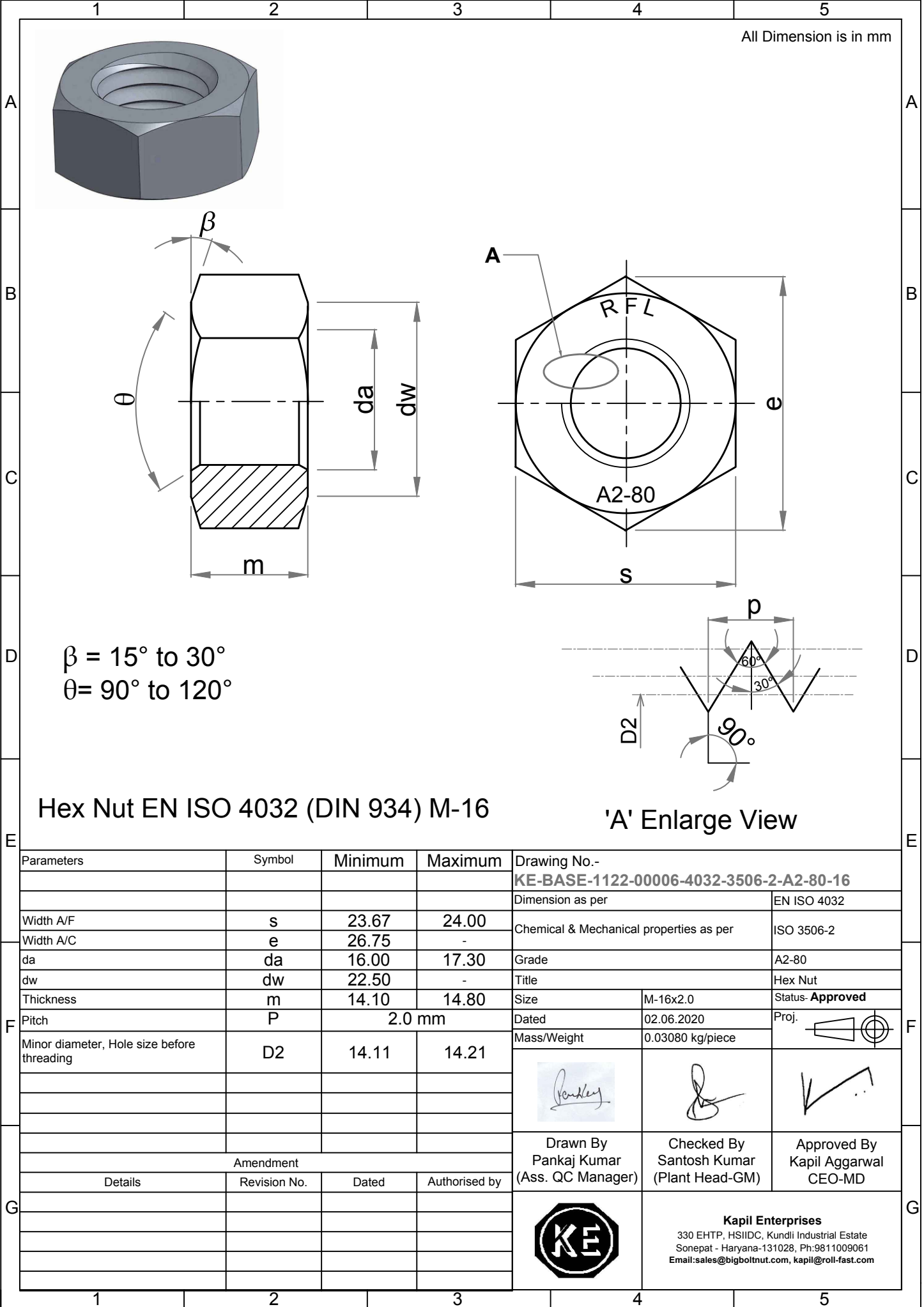


Note: This Drawing is the property of Kapil Enterprises-Kundli, and must not be copied or reproduced without permission or Written authorisation by Kapil Enterprises-Kundli



All Dimension is in mm

$\beta = 15^\circ \text{ to } 30^\circ$   
 $\theta = 90^\circ \text{ to } 120^\circ$

**Hex Nut EN ISO 4032 (DIN 934) M-16**

'A' Enlarge View

Parameters		Symbol	Minimum	Maximum	Drawing No.- <b>KE-BASE-1122-00006-4032-3506-2-A2-80-16</b>	
					Dimension as per	EN ISO 4032
Width A/F	s	23.67	24.00	Chemical & Mechanical properties as per		ISO 3506-2
Width A/C	e	26.75	-	Grade		A2-80
da	da	16.00	17.30	Title		Hex Nut
dw	dw	22.50	-	Size	M-16x2.0	Status- <b>Approved</b>
Thickness	m	14.10	14.80	Dated	02.06.2020	Proj.
Pitch	P	2.0 mm		Mass/Weight	0.03080 kg/piece	
Minor diameter, Hole size before threading	D2	14.11	14.21			
Amendment						
Details	Revision No.	Dated	Authorised by	Drawn By Pankaj Kumar (Ass. QC Manager)	Checked By Santosh Kumar (Plant Head-GM)	Approved By Kapil Aggarwal CEO-MD
				<p><b>Kapil Enterprises</b>          330 EHTP, HSIIDC, Kundli Industrial Estate          Sonapat - Haryana-131028, Ph:9811009061          Email:sales@bigboltnut.com, kapil@roll-fast.com</p>		