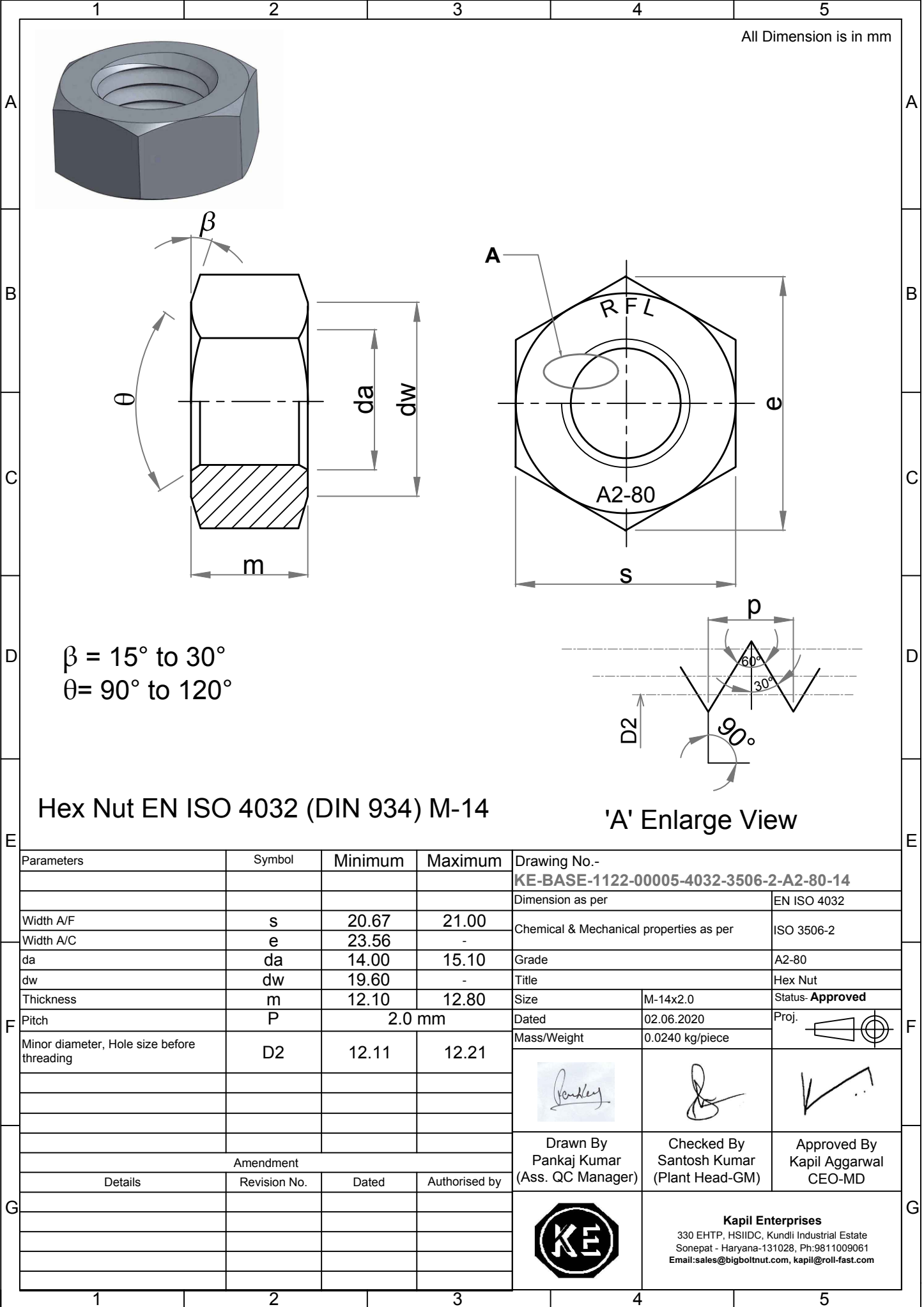


Note: This Drawing is the property of Kapil Enterprises-Kundli, and must not be copied or reproduced without permission or Written authorisation by Kapil Enterprises-Kundli



All Dimension is in mm

$\beta = 15^\circ \text{ to } 30^\circ$
 $\theta = 90^\circ \text{ to } 120^\circ$

Hex Nut EN ISO 4032 (DIN 934) M-14

'A' Enlarge View

| Parameters | Symbol | Minimum | Maximum | Drawing No.- KE-BASE-1122-00005-4032-3506-2-A2-80-14 | |
|--|--------------|---------|---------------|---|-----------------|
| | | | | Dimension as per EN ISO 4032 | |
| Width A/F | s | 20.67 | 21.00 | Chemical & Mechanical properties as per ISO 3506-2 | |
| Width A/C | e | 23.56 | - | Grade A2-80 | |
| da | da | 14.00 | 15.10 | Title Hex Nut | |
| dw | dw | 19.60 | - | Size M-14x2.0 | |
| Thickness | m | 12.10 | 12.80 | Status- Approved | |
| Pitch | P | 2.0 mm | | Dated | 02.06.2020 |
| Minor diameter, Hole size before threading | D2 | 12.11 | 12.21 | Mass/Weight | 0.0240 kg/piece |
| | | | | Proj. | |
| | | | | <div style="display: flex; justify-content: space-around;"> <div style="text-align: center;"> Drawn By Pankaj Kumar (Ass. QC Manager) </div> <div style="text-align: center;"> Checked By Santosh Kumar (Plant Head-GM) </div> <div style="text-align: center;"> Approved By Kapil Aggarwal CEO-MD </div> </div> | |
| Amendment | | | | Kapil Enterprises 330 EHTP, HSIIDC, Kundli Industrial Estate Sonapat - Haryana-131028, Ph:9811009061 Email:sales@bigboltnut.com, kapil@roll-fast.com | |
| Details | Revision No. | Dated | Authorised by | | |
| | | | | | |
| | | | | | |
| | | | | | |