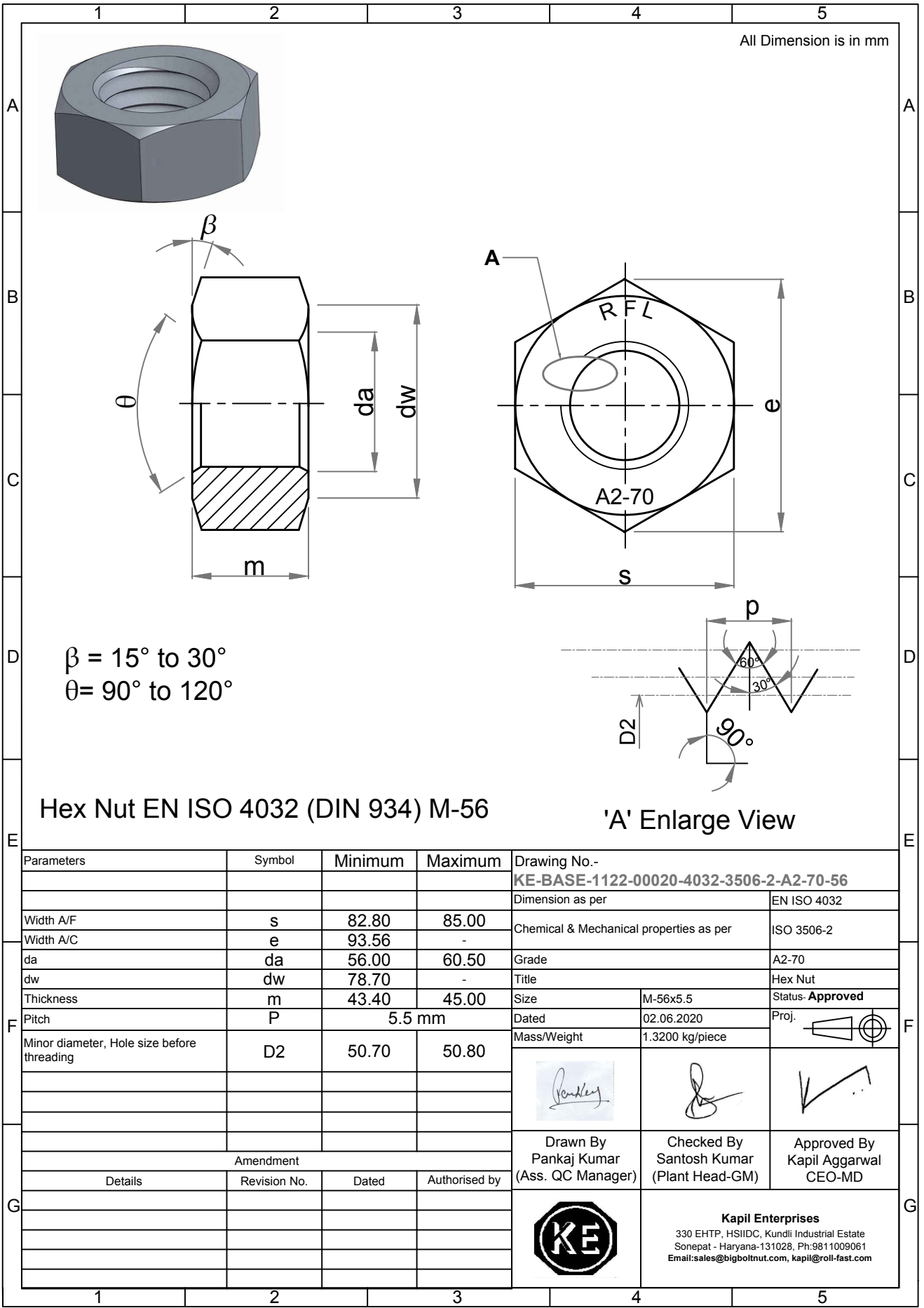


Note: This Drawing is the property of Kapil Enterprises-Kundli, and must not be copied or reproduced without permission or Written authorisation by Kapil Enterprises-Kundli



All Dimension is in mm

$\beta = 15^\circ \text{ to } 30^\circ$   
 $\theta = 90^\circ \text{ to } 120^\circ$

**Hex Nut EN ISO 4032 (DIN 934) M-56**

**'A' Enlarge View**

Parameters	Symbol	Minimum	Maximum	Drawing No.- <b>KE-BASE-1122-00020-4032-3506-2-A2-70-56</b>		
				Dimension as per		EN ISO 4032
Width A/F	s	82.80	85.00	Chemical & Mechanical properties as per		ISO 3506-2
Width A/C	e	93.56	-	Grade		A2-70
da	da	56.00	60.50	Title		Hex Nut
dw	dw	78.70	-	Size	M-56x5.5	Status- <b>Approved</b>
Thickness	m	43.40	45.00	Dated	02.06.2020	Proj.
Pitch	P	5.5 mm		Mass/Weight	1.3200 kg/piece	
Minor diameter, Hole size before threading	D2	50.70	50.80	<div style="display: flex; justify-content: space-around;"> <div style="border: 1px solid black; padding: 5px; text-align: center;">             Drawn By  <b>Pankaj Kumar</b>            (Ass. QC Manager)         </div> <div style="border: 1px solid black; padding: 5px; text-align: center;">             Checked By  <b>Santosh Kumar</b>            (Plant Head-GM)         </div> <div style="border: 1px solid black; padding: 5px; text-align: center;">             Approved By  <b>Kapil Aggarwal</b>            CEO-MD         </div> </div>		
Amendment				 <b>Kapil Enterprises</b> 330 EHTP, HSIIDC, Kundli Industrial Estate Sonapat - Haryana-131028, Ph:9811009061 Email:sales@bigboltnut.com, kapil@roll-fast.com		
Details	Revision No.	Dated	Authorised by			