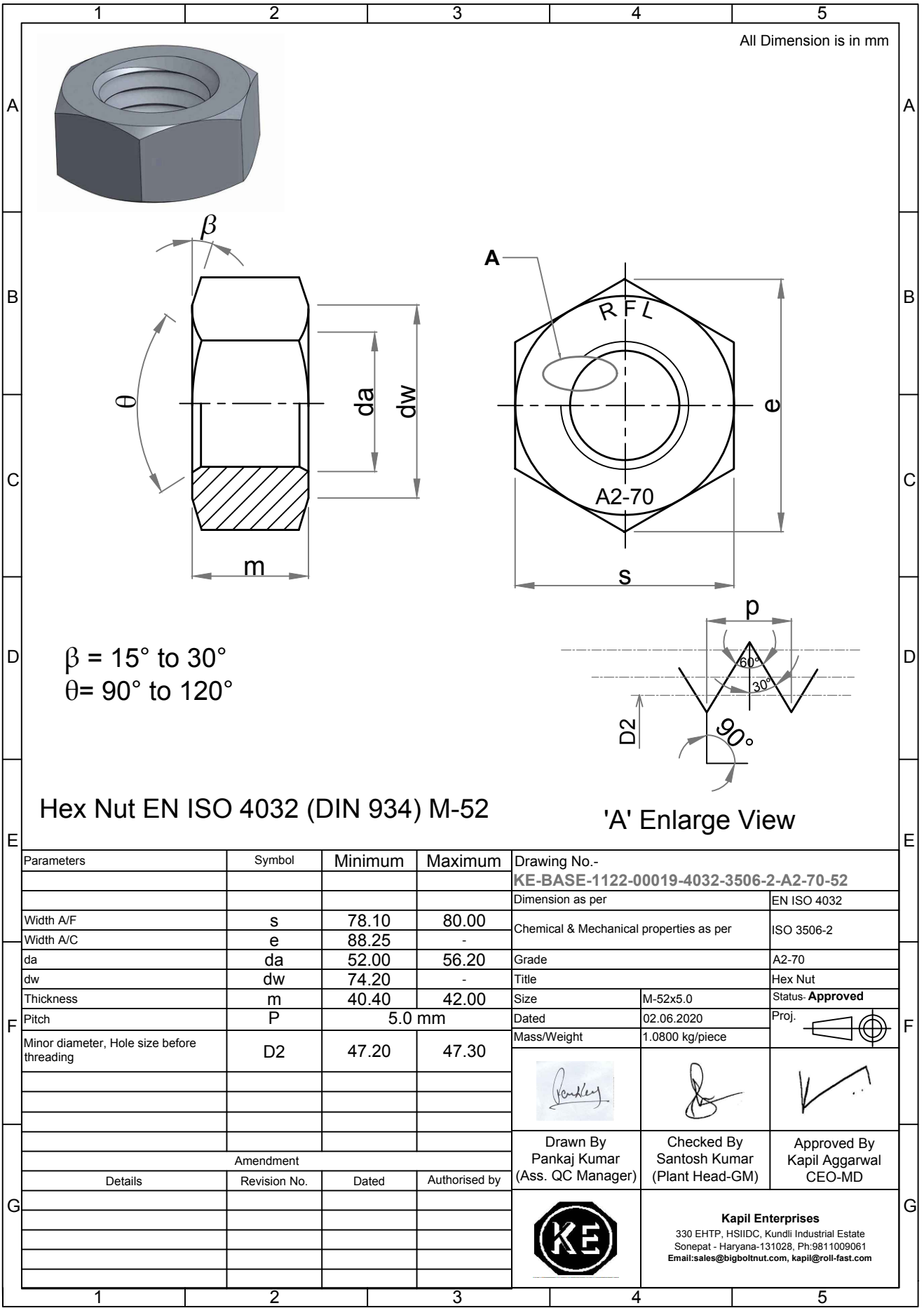


Note: This Drawing is the property of Kapil Enterprises-Kundli, and must not be copied or reproduced without permission or Written authorisation by Kapil Enterprises-Kundli



Hex Nut EN ISO 4032 (DIN 934) M-52

'A' Enlarge View

Parameters	Symbol	Minimum	Maximum	Drawing No.- KE-BASE-1122-00019-4032-3506-2-A2-70-52		
				Dimension as per		EN ISO 4032
Width A/F	s	78.10	80.00	Chemical & Mechanical properties as per		ISO 3506-2
Width A/C	e	88.25	-	Grade		A2-70
da	da	52.00	56.20	Title		Hex Nut
dw	dw	74.20	-	Size	M-52x5.0	Status- Approved
Thickness	m	40.40	42.00	Dated	02.06.2020	Proj.
Pitch	P	5.0 mm		Mass/Weight	1.0800 kg/piece	
Minor diameter, Hole size before threading	D2	47.20	47.30	<div style="display: flex; justify-content: space-around;"> <div style="text-align: center;"></div> <div style="text-align: center;"></div> <div style="text-align: center;"></div> </div>		
Amendment				Drawn By	Checked By	Approved By
Details	Revision No.	Dated	Authorised by	Pankaj Kumar (Ass. QC Manager)	Santosh Kumar (Plant Head-GM)	Kapil Aggarwal CEO-MD
				Kapil Enterprises 330 EHTP, HSIIDC, Kundli Industrial Estate Sonapat - Haryana-131028, Ph:9811009061 Email:sales@bigboltnut.com, kapil@roll-fast.com		