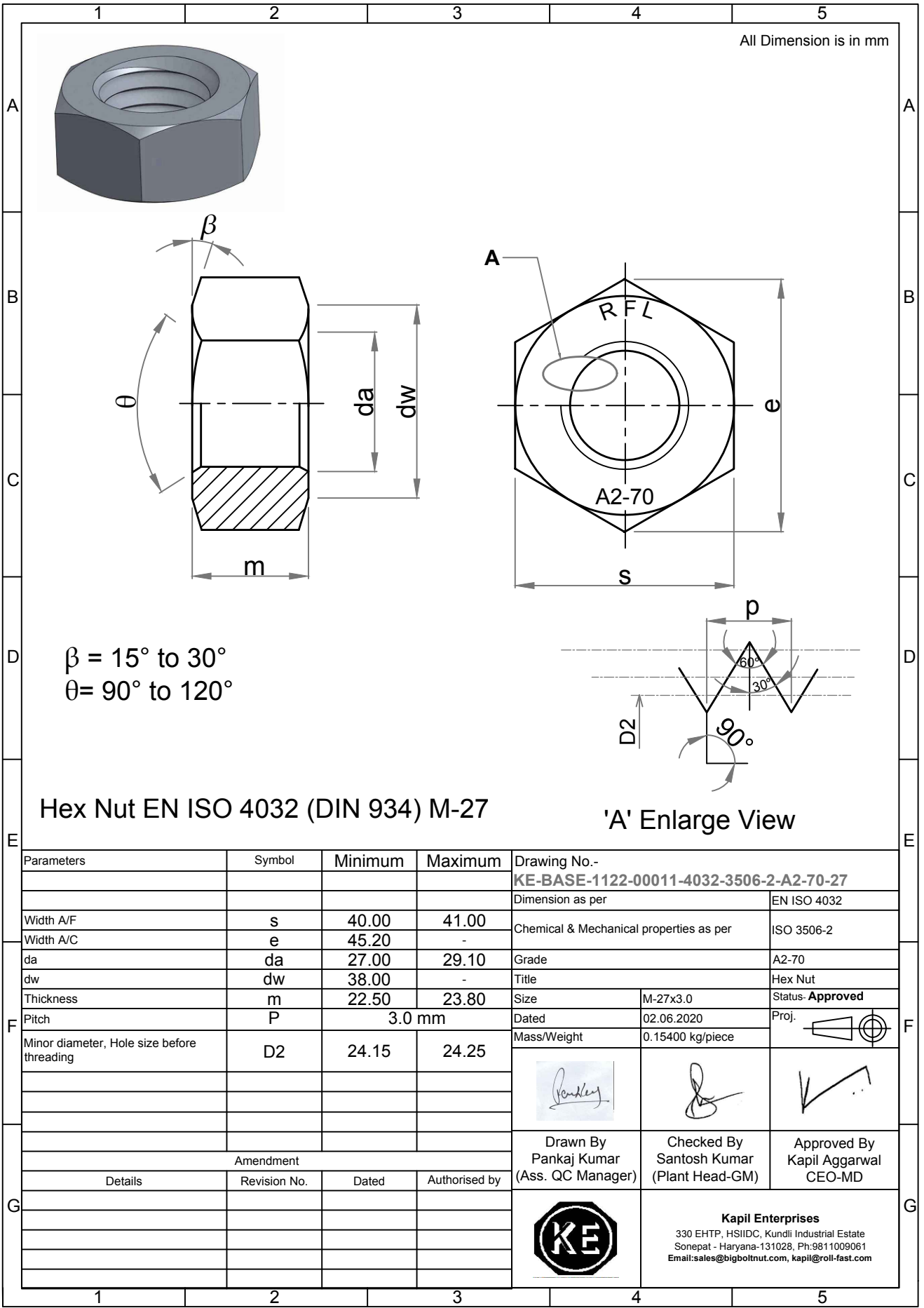


Note: This Drawing is the property of Kapil Enterprises-Kundli, and must not be copied or reproduced without permission or Written authorisation by Kapil Enterprises-Kundli



All Dimension is in mm

$\beta = 15^\circ \text{ to } 30^\circ$
 $\theta = 90^\circ \text{ to } 120^\circ$

Hex Nut EN ISO 4032 (DIN 934) M-27

'A' Enlarge View

Parameters	Symbol	Minimum	Maximum
Width A/F	s	40.00	41.00
Width A/C	e	45.20	-
da	da	27.00	29.10
dw	dw	38.00	-
Thickness	m	22.50	23.80
Pitch	P	3.0 mm	
Minor diameter, Hole size before threading	D2	24.15	24.25
Amendment			
Details	Revision No.	Dated	Authorised by

Drawing No.- KE-BASE-1122-00011-4032-3506-2-A2-70-27	
Dimension as per	EN ISO 4032
Chemical & Mechanical properties as per	ISO 3506-2
Grade	A2-70
Title	Hex Nut
Size	M-27x3.0
Dated	02.06.2020
Mass/Weight	0.15400 kg/piece
Proj.	
Drawn By Pankaj Kumar (Ass. QC Manager)	Checked By Santosh Kumar (Plant Head-GM)
Approved By Kapil Aggarwal CEO-MD	
Kapil Enterprises 330 EHTP, HSIIDC, Kundli Industrial Estate Sonapat - Haryana-131028, Ph:9811009061 Email:sales@bigboltnut.com, kapil@roll-fast.com	