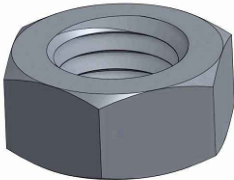
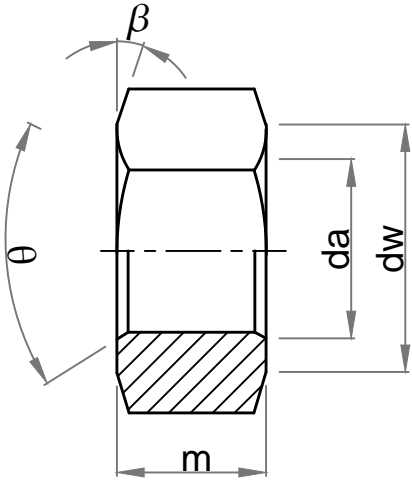
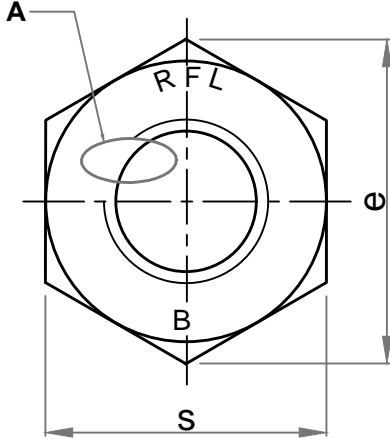
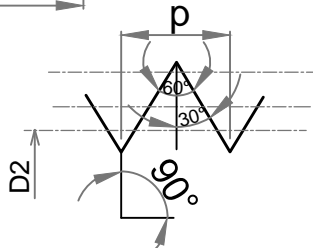

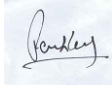




Note: This Drawing is the property of Kapil Enterprises-Kundli, and must not be copied or reproduced without permission or Written authorisation by Kapil Enterprises-Kundli

1	2	3	4	5	
Drawing No		KE-BASE-1199-00006-B18.2.2-A307-B-1.1/8			
Dimension as per		ASME B18.2.2 (Table -3)	Chemical & Mechanical properties as per		
Grade		B	Size	1.1/8"x8UNC	
Title		Hex Nut	Dated	10.05.2018	
Class		2B	Mass/Weight	0.184 kg/piece	
Proj.					
Amendment					
Revision No.	Details	Dated	Remarks	Authorised by	
B				B	
C				C	
D				D	
E	<p>$\beta = 15^\circ \text{ to } 30^\circ$ $\theta = 90^\circ \text{ to } 120^\circ$</p>  <p style="text-align: right;">'A' Enlarge View</p>			E	
Hex Nut ASME B18.2.2 1.1/8"x8UNC					
		Dimension in Inch		Dimension in mm	
Parameters	Symbol	Minimum	Maximum	Minimum	Maximum
Width A/F	s	1.631	1.688	41.43	42.88
Width A/C	e	1.859	1.949	47.22	49.50
Thickness	m	0.939	0.999	23.85	25.37
Thread per Inch	TPI	8 UNC		8 UNC	
Minor diameter, Hole size before threading	D2	0.990	1.015	25.15	25.78
Runout of Bearing Face FIM (Specified proof load)	Up to 150,000 psi	0.030 max.			
	150,000 psi & Greater	0.025 max.			
G	 <p>Kapil Enterprises 330 EHTP, HSIIDC, Kundli Industrial Estate Sonapat - Haryana-131028, Ph:9811009061 Email:sales@bigboltnut.com, kapil@roll-fast.com</p>		 Drawn By Pankaj Kumar (Ass. QC Manager)	 Checked By Santosh Kumar (Plant Head-GM)	 Approved By Kapil Aggarwal CEO-MD
1	2	3	4	5	