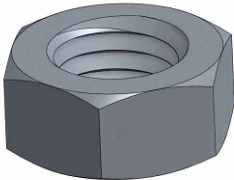
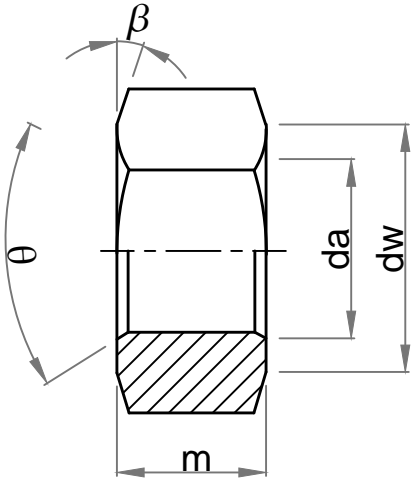
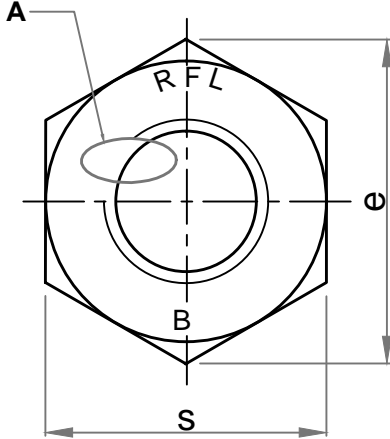
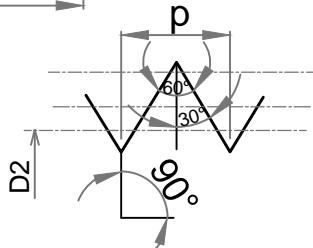

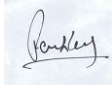




Note: This Drawing is the property of Kapil Enterprises-Kundli, and must not be copied or reproduced without permission or Written authorisation by Kapil Enterprises-Kundli

1	2	3	4	5		
Drawing No		KE-BASE-1199-00005-B18.2.2-A307-B-1				
Dimension as per		ASME B18.2.2 (Table -3)	Chemical & Mechanical properties as per			
Grade		B	Size	1"x8UNC		
Title		Hex Nut	Dated	10.05.2018		
Class		2B	Mass/Weight	0.160 kg/piece		
				Proj.		
Amendment						
Revision No.	Details	Dated	Remarks	Authorised by		
B				B		
C				C		
D				D		
E	<p>$\beta = 15^\circ \text{ to } 30^\circ$ $\theta = 90^\circ \text{ to } 120^\circ$</p>  <p style="text-align: center;">'A' Enlarge View</p>			E		
Hex Nut ASME B18.2.2 1"x8UNC						
		Dimension in Inch		Dimension in mm		
Parameters	Symbol	Minimum	Maximum	Minimum	Maximum	
Width A/F	s	1.450	1.500	36.83	38.10	
Width A/C	e	1.653	1.732	41.22	43.99	
Thickness	m	0.831	0.887	21.11	22.53	
Thread per Inch	TPI	8 UNC		8 UNC		
Minor diameter, Hole size before threading	D2	0.865	0.890	21.97	22.61	
Runout of Bearing Face FIM (Specified proof load)	Up to 150,000 psi	0.027 max.				
	150,000 psi & Greater	0.022 max.				
G	 <p>Kapil Enterprises 330 EHTP, HSIIDC, Kundli Industrial Estate Sonapat - Haryana-131028, Ph:9811009061 Email:sales@bigboltnut.com, kapil@roll-fast.com</p>		 Drawn By Pankaj Kumar (Ass. QC Manager)	 Checked By Santosh Kumar (Plant Head-GM)	 Approved By Kapil Aggarwal CEO-MD	G
1	2	3	4	5		