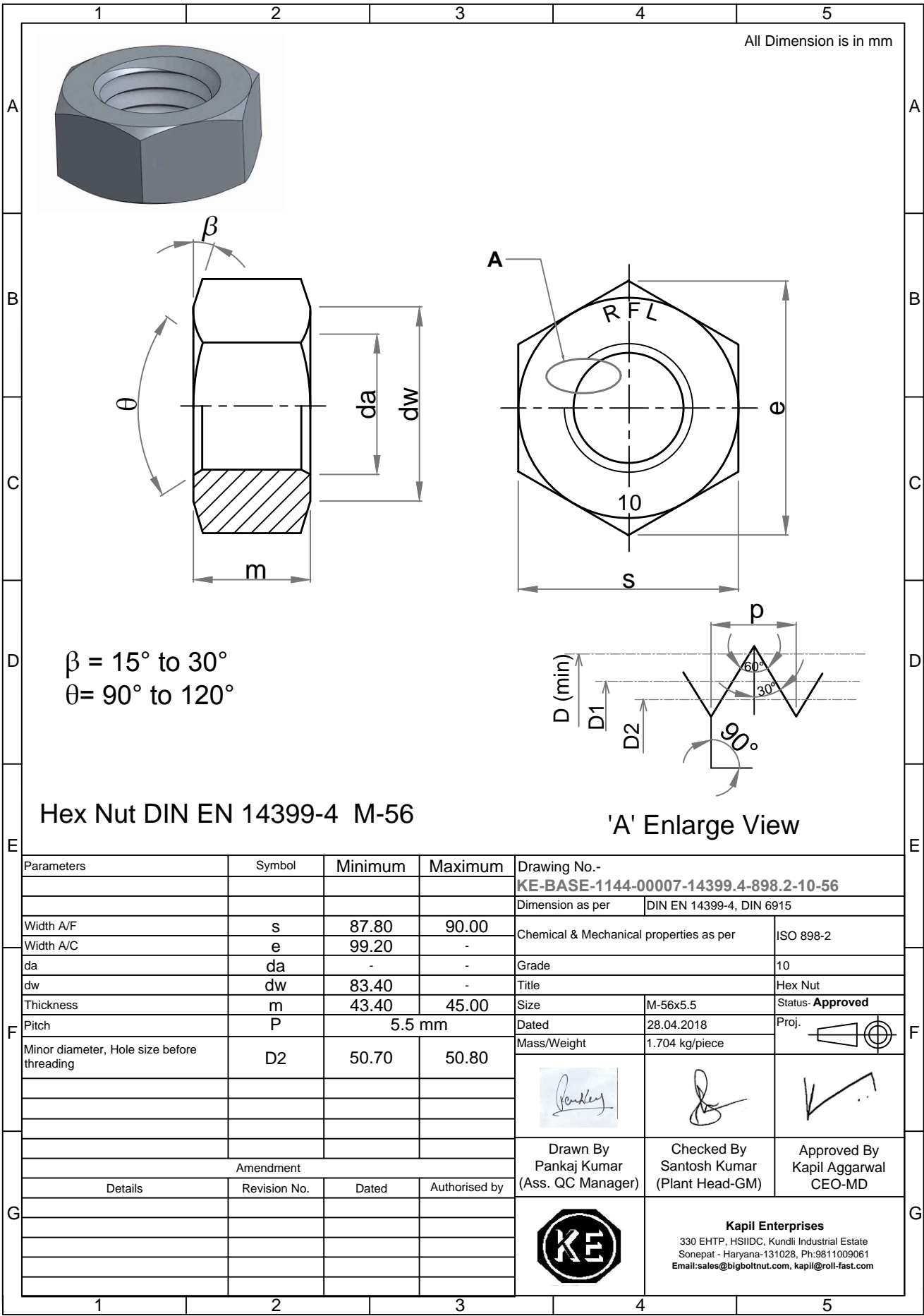


Note: This Drawing is the property of Kapil Enterprises-Kundli, and must not be copied or reproduced without permission or Written authorisation by Kapil Enterprises-Kundli



Parameters	Symbol	Minimum	Maximum	Drawing No. - KE-BASE-1144-00007-14399.4-898.2-10-56		
				Dimension as per	DIN EN 14399-4, DIN 6915	
Width A/F	s	87.80	90.00	Chemical & Mechanical properties as per	ISO 898-2	
Width A/C	e	99.20	-	Grade	10	
da	da	-	-	Title	Hex Nut	
dw	dw	83.40	-	Size	M-56x5.5	Status: Approved
Thickness	m	43.40	45.00	Dated	28.04.2018	Proj.
Pitch	P	5.5 mm		Mass/Weight	1.704 kg/piece	
Minor diameter, Hole size before threading	D2	50.70	50.80	<div style="display: flex; justify-content: space-around;"> <div style="text-align: center;"> Drawn By Pankaj Kumar (Ass. QC Manager)</div> <div style="text-align: center;"> Checked By Santosh Kumar (Plant Head-GM)</div> <div style="text-align: center;"> Approved By Kapil Aggarwal CEO-MD</div> </div>		
Amendment						
Details	Revision No.	Dated	Authorised by			
				Kapil Enterprises 330 EHTP, HSIIDC, Kundli Industrial Estate Sonapat - Haryana-131028, Ph:9811009061 Email:sales@bigboltnut.com, kapil@roll-fast.com		