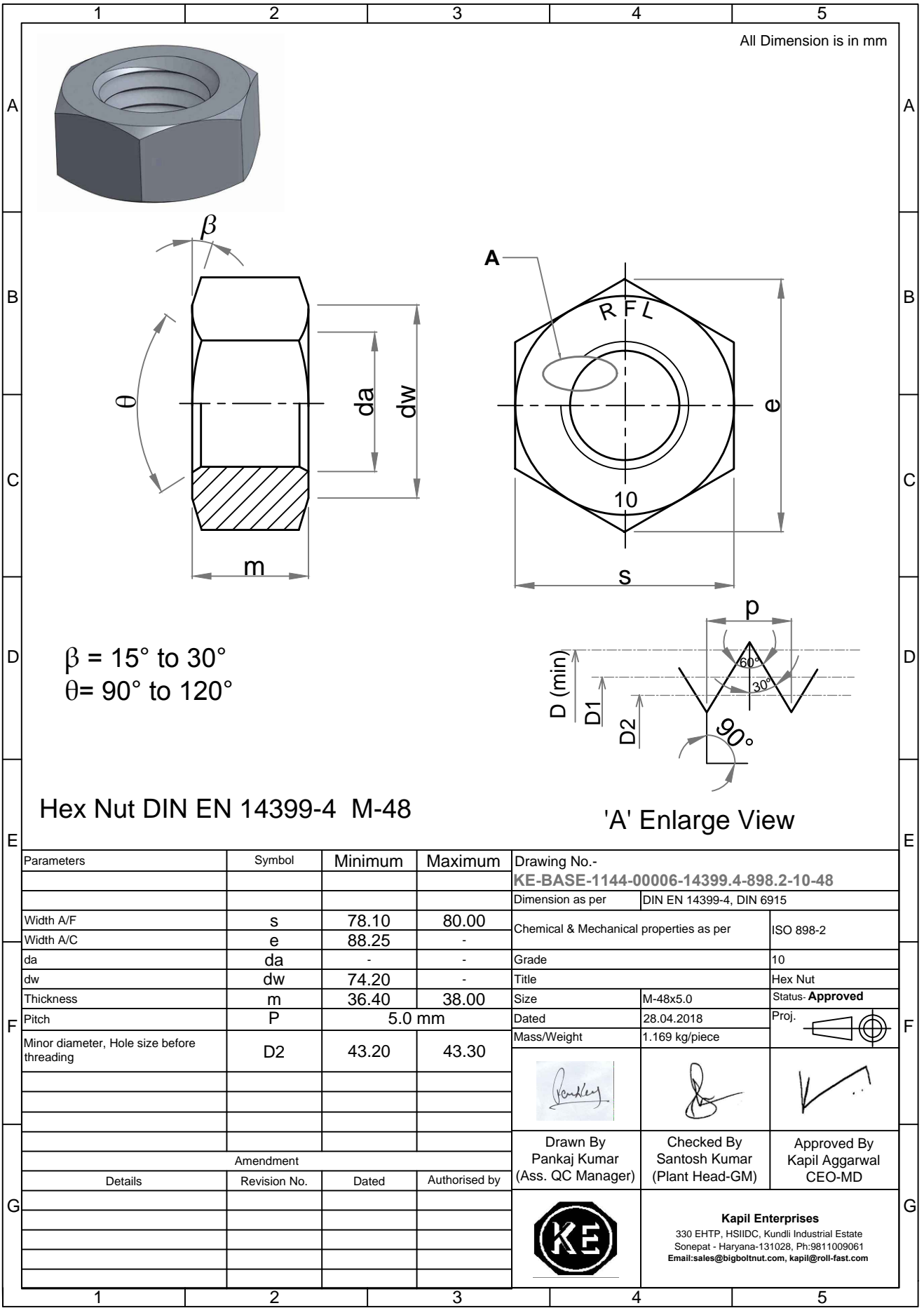


Note: This Drawing is the property of Kapil Enterprises-Kundli, and must not be copied or reproduced without permission or Written authorisation by Kapil Enterprises-Kundli



$\beta = 15^\circ \text{ to } 30^\circ$   
 $\theta = 90^\circ \text{ to } 120^\circ$

**Hex Nut DIN EN 14399-4 M-48**

**'A' Enlarge View**

Parameters	Symbol	Minimum	Maximum	Drawing No.- <b>KE-BASE-1144-00006-14399.4-898.2-10-48</b>		
				Dimension as per	DIN EN 14399-4, DIN 6915	
Width A/F	s	78.10	80.00	Chemical & Mechanical properties as per	ISO 898-2	
Width A/C	e	88.25	-	Grade	10	
da	da	-	-	Title	Hex Nut	
dw	dw	74.20	-	Size	M-48x5.0	Status- <b>Approved</b>
Thickness	m	36.40	38.00	Dated	28.04.2018	Proj.
Pitch	P	5.0 mm		Mass/Weight	1.169 kg/piece	
Minor diameter, Hole size before threading	D2	43.20	43.30			
Amendment				Drawn By	Checked By	Approved By
Details	Revision No.	Dated	Authorised by	Pankaj Kumar (Ass. QC Manager)	Santosh Kumar (Plant Head-GM)	Kapil Aggarwal CEO-MD
					<b>Kapil Enterprises</b> 330 EHTP, HSIIDC, Kundli Industrial Estate Sonapat - Haryana-131028, Ph:9811009061 Email:sales@bigboltnut.com, kapil@roll-fast.com	