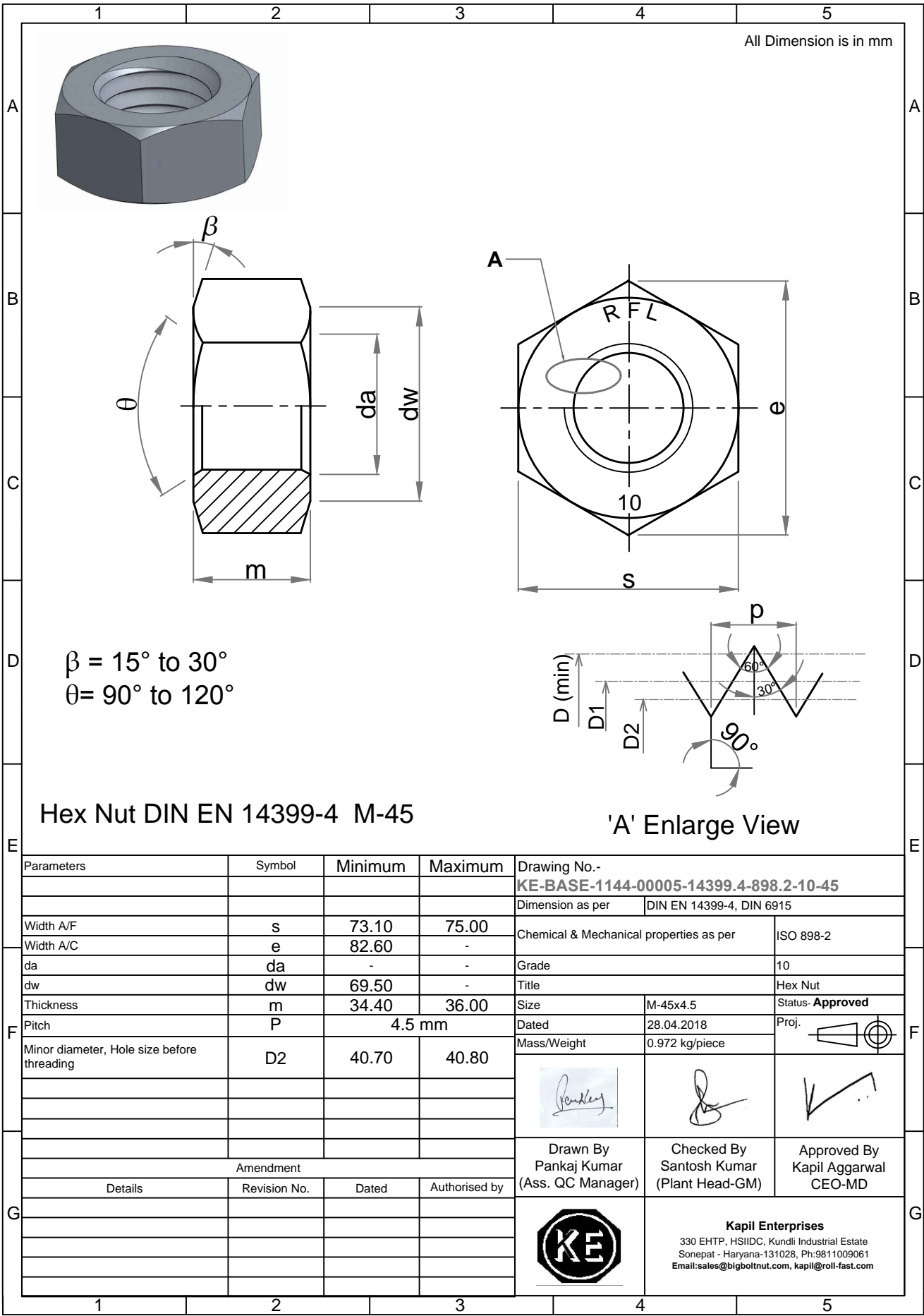


Note: This Drawing is the property of Kapil Enterprises-Kundli, and must not be copied or reproduced without permission or Written authorisation by Kapil Enterprises-Kundli



Parameters	Symbol	Minimum	Maximum
Width A/F	s	73.10	75.00
Width A/C	e	82.60	-
da	da	-	-
dw	dw	69.50	-
Thickness	m	34.40	36.00
Pitch	P	4.5 mm	
Minor diameter, Hole size before threading	D2	40.70	40.80
Amendment			
Details	Revision No.	Dated	Authorised by

Drawing No.- KE-BASE-1144-00005-14399.4-898.2-10-45	
Dimension as per	DIN EN 14399-4, DIN 6915
Chemical & Mechanical properties as per	ISO 898-2
Grade	10
Title	Hex Nut
Size	M-45x4.5
Dated	28.04.2018
Mass/Weight	0.972 kg/piece
Proj.	
Drawn By Pankaj Kumar (Ass. QC Manager)	Checked By Santosh Kumar (Plant Head-GM)
Approved By Kapil Aggarwal CEO-MD	
Kapil Enterprises 330 EHTP, HSIIDC, Kundli Industrial Estate Sonapat - Haryana-131028, Ph:9811009061 Email:sales@bigboltnut.com, kapil@roll-fast.com	