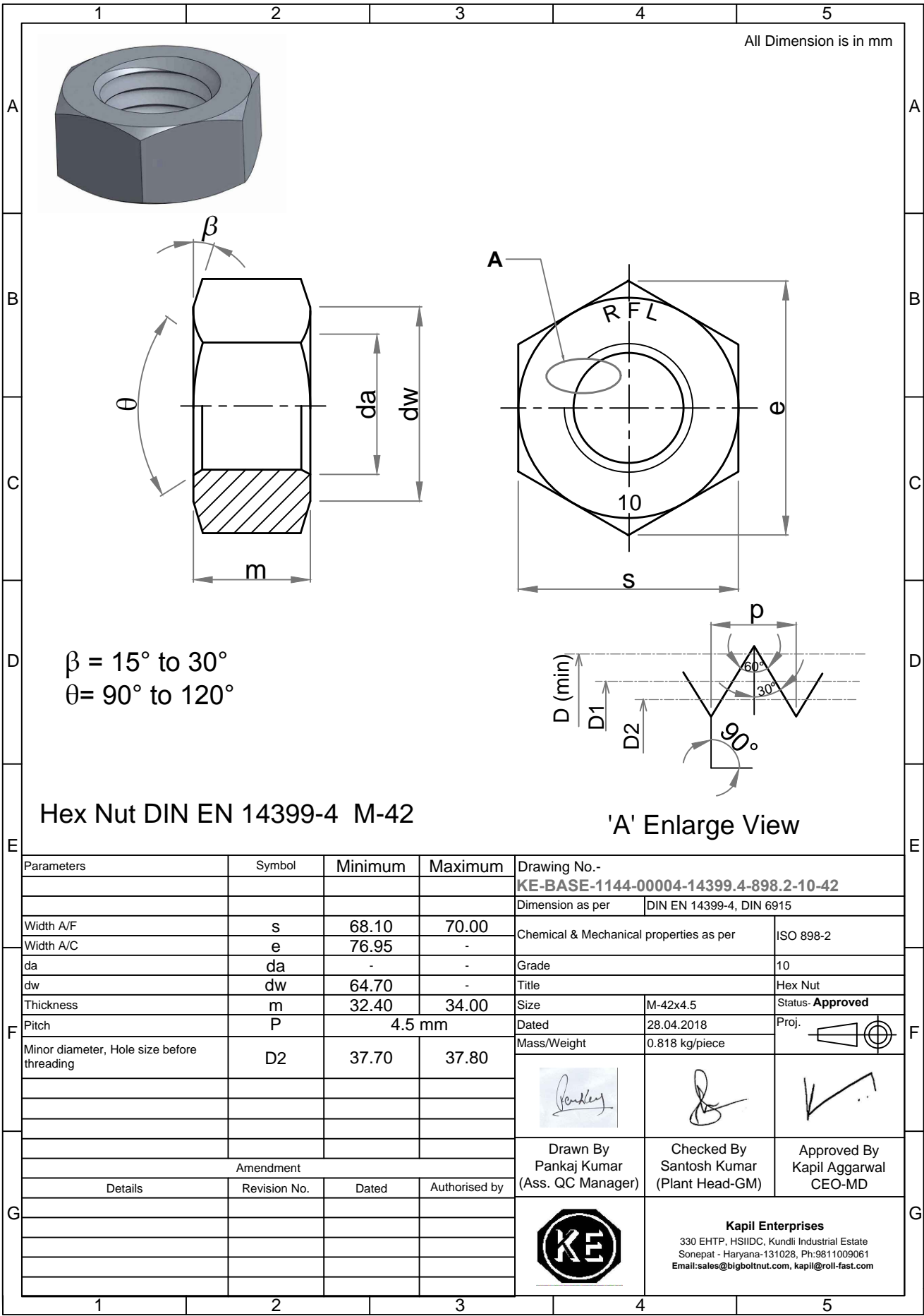


Note: This Drawing is the property of Kapil Enterprises-Kundli, and must not be copied or reproduced without permission or Written authorisation by Kapil Enterprises-Kundli



All Dimension is in mm

$\beta = 15^\circ \text{ to } 30^\circ$
 $\theta = 90^\circ \text{ to } 120^\circ$

Hex Nut DIN EN 14399-4 M-42

'A' Enlarge View

Parameters	Symbol	Minimum	Maximum	Drawing No. - KE-BASE-1144-00004-14399.4-898.2-10-42		
				Dimension as per	DIN EN 14399-4, DIN 6915	
Width A/F	s	68.10	70.00	Chemical & Mechanical properties as per	ISO 898-2	
Width A/C	e	76.95	-	Grade	10	
da	da	-	-	Title	Hex Nut	
dw	dw	64.70	-	Size	M-42x4.5	Status: Approved
Thickness	m	32.40	34.00	Dated	28.04.2018	Proj.
Pitch	P	4.5 mm		Mass/Weight	0.818 kg/piece	
Minor diameter, Hole size before threading	D2	37.70	37.80	<div style="display: flex; justify-content: space-around;"> <div style="text-align: center;"></div> <div style="text-align: center;"></div> <div style="text-align: center;"></div> </div>		
Amendment				Drawn By	Checked By	Approved By
Details	Revision No.	Dated	Authorised by	Pankaj Kumar (Ass. QC Manager)	Santosh Kumar (Plant Head-GM)	Kapil Aggarwal CEO-MD
				Kapil Enterprises 330 EHTP, HSIIDC, Kundli Industrial Estate Sonapat - Haryana-131028, Ph:9811009061 Email:sales@bigboltnut.com, kapil@roll-fast.com		