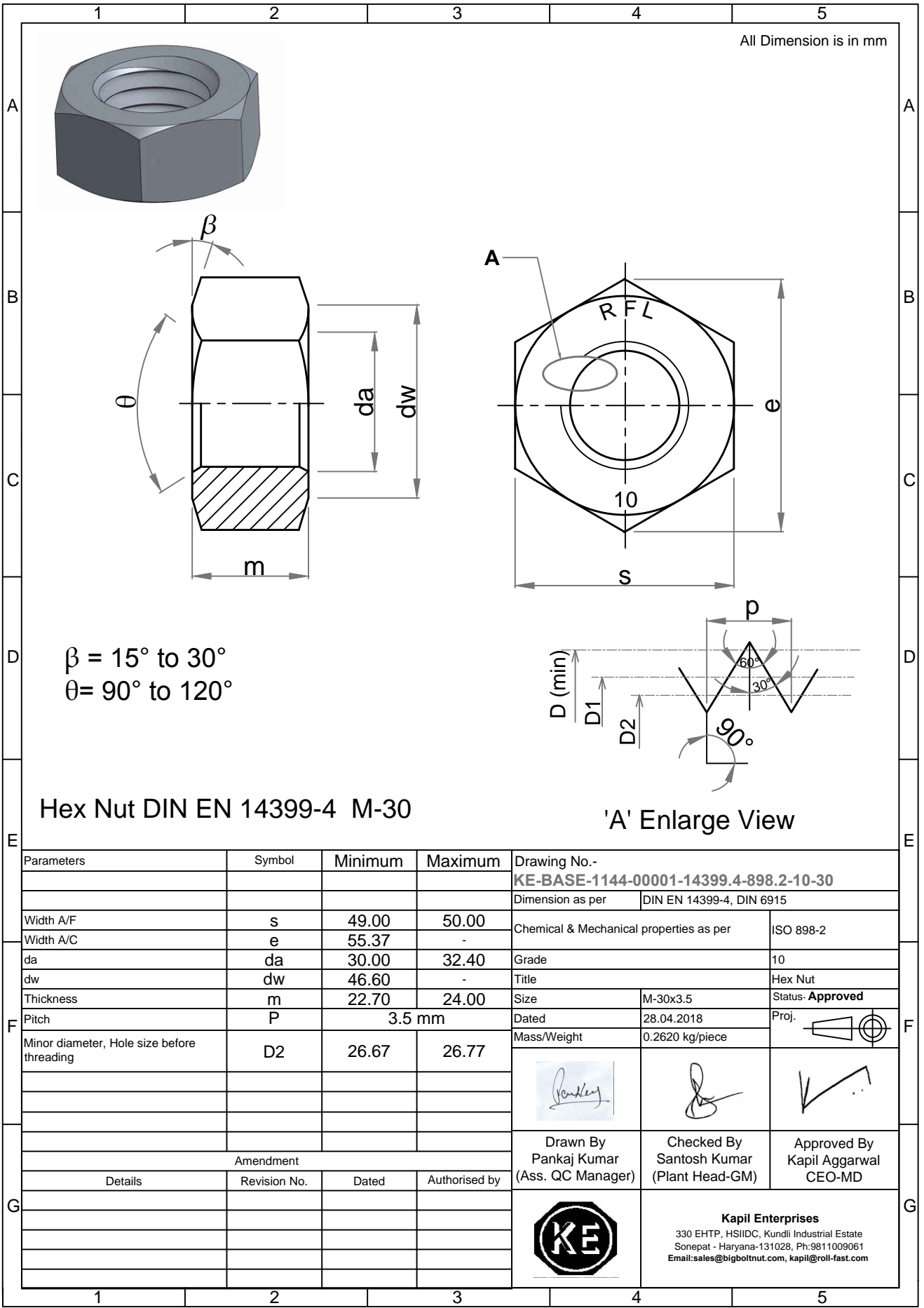


Note: This Drawing is the property of Kapil Enterprises-Kundli, and must not be copied or reproduced without permission or Written authorisation by Kapil Enterprises-Kundli



All Dimension is in mm

$\beta = 15^\circ \text{ to } 30^\circ$
 $\theta = 90^\circ \text{ to } 120^\circ$

Hex Nut DIN EN 14399-4 M-30

'A' Enlarge View

| Parameters | Symbol | Minimum | Maximum |
|--|--------------|---------|---------------|
| Width A/F | s | 49.00 | 50.00 |
| Width A/C | e | 55.37 | - |
| da | da | 30.00 | 32.40 |
| dw | dw | 46.60 | - |
| Thickness | m | 22.70 | 24.00 |
| Pitch | P | 3.5 mm | |
| Minor diameter, Hole size before threading | D2 | 26.67 | 26.77 |
| Amendment | | | |
| Details | Revision No. | Dated | Authorised by |
| | | | |
| | | | |
| | | | |
| | | | |

| | | |
|--|--|---|
| Drawing No. - KE-BASE-1144-00001-14399.4-898.2-10-30 | | |
| Dimension as per | | DIN EN 14399-4, DIN 6915 |
| Chemical & Mechanical properties as per | | ISO 898-2 |
| Grade | | 10 |
| Title | | Hex Nut |
| Size | M-30x3.5 | Status: Approved |
| Dated | 28.04.2018 | Proj. |
| Mass/Weight | 0.2620 kg/piece | |
| | | |
| Drawn By Pankaj Kumar (Ass. QC Manager) | Checked By Santosh Kumar (Plant Head-GM) | Approved By Kapil Aggarwal CEO-MD |
| | | |
| Kapil Enterprises 330 EHTP, HSIIDC, Kundli Industrial Estate Sonapat - Haryana-131028, Ph:9811009061 Email:sales@bigboltnut.com, kapil@roll-fast.com | | |