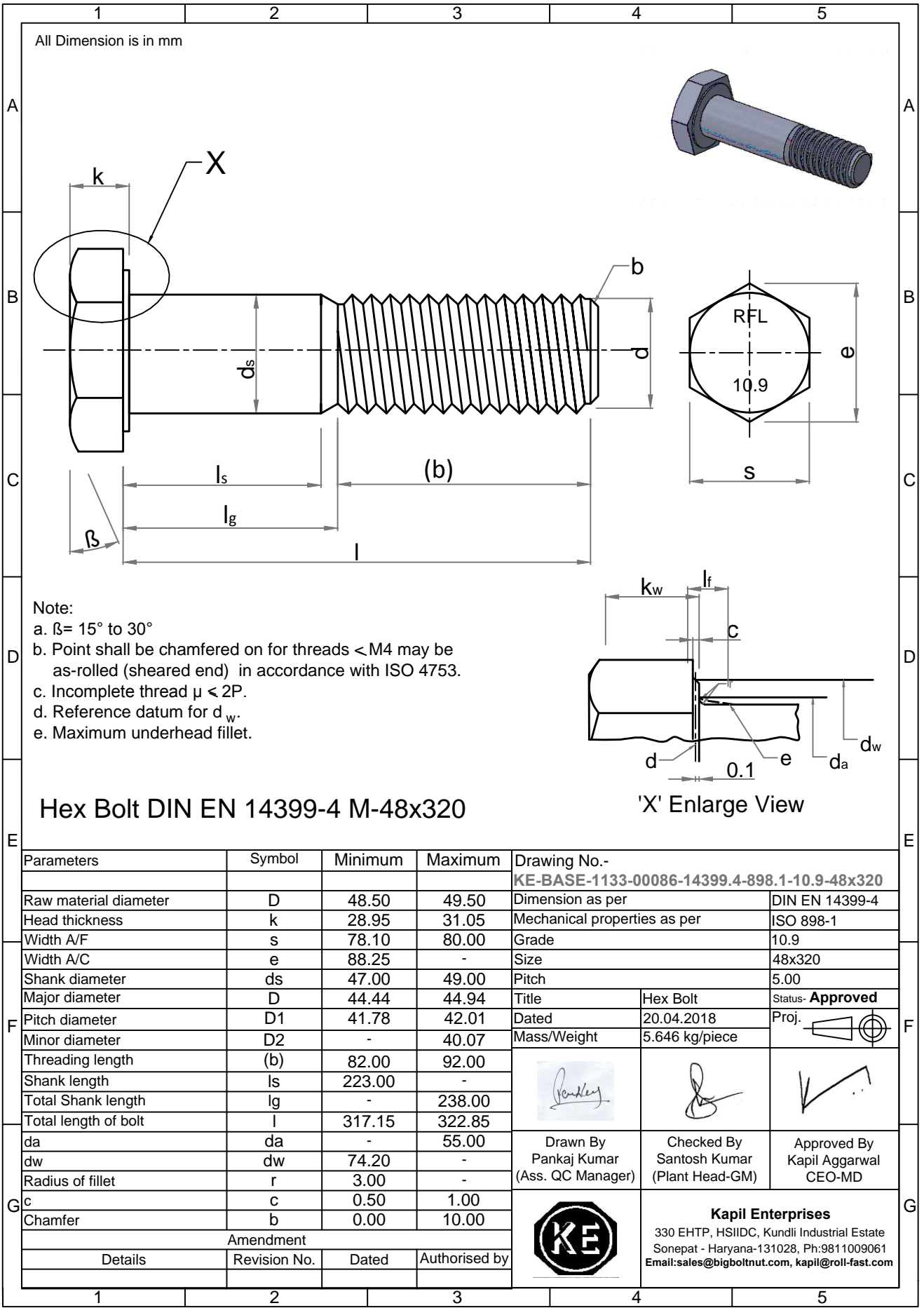


Note: This Drawing is the property of Kapil Enterprises-Kundli, and must not be copied or reproduced without permission or written authorisation by Kapil Enterprises-Kundli



All Dimension is in mm

- Note:
- a. $\beta = 15^\circ$ to 30°
 - b. Point shall be chamfered on for threads $< M4$ may be as-rolled (sheared end) in accordance with ISO 4753.
 - c. Incomplete thread $\mu < 2P$.
 - d. Reference datum for d_w .
 - e. Maximum underhead fillet.

Hex Bolt DIN EN 14399-4 M-48x320

'X' Enlarge View

Parameters	Symbol	Minimum	Maximum
Raw material diameter	D	48.50	49.50
Head thickness	k	28.95	31.05
Width A/F	s	78.10	80.00
Width A/C	e	88.25	-
Shank diameter	ds	47.00	49.00
Major diameter	D	44.44	44.94
Pitch diameter	D1	41.78	42.01
Minor diameter	D2	-	40.07
Threading length	(b)	82.00	92.00
Shank length	ls	223.00	-
Total Shank length	lg	-	238.00
Total length of bolt	l	317.15	322.85
da	da	-	55.00
dw	dw	74.20	-
Radius of fillet	r	3.00	-
c	c	0.50	1.00
Chamfer	b	0.00	10.00
Amendment			
Details	Revision No.	Dated	Authorised by

Drawing No. - KE-BASE-1133-00086-14399.4-898.1-10.9-48x320

Dimension as per	DIN EN 14399-4	
Mechanical properties as per	ISO 898-1	
Grade	10.9	
Size	48x320	
Pitch	5.00	
Title	Hex Bolt	Status- Approved
Dated	20.04.2018	Proj.
Mass/Weight	5.646 kg/piece	
Drawn By Pankaj Kumar (Ass. QC Manager)	Checked By Santosh Kumar (Plant Head-GM)	Approved By Kapil Aggarwal CEO-MD

Kapil Enterprises
 330 EHTP, HSIIDC, Kundli Industrial Estate
 Sonapat - Haryana-131028, Ph:9811009061
 Email:sales@bigboltnut.com, kapil@roll-fast.com