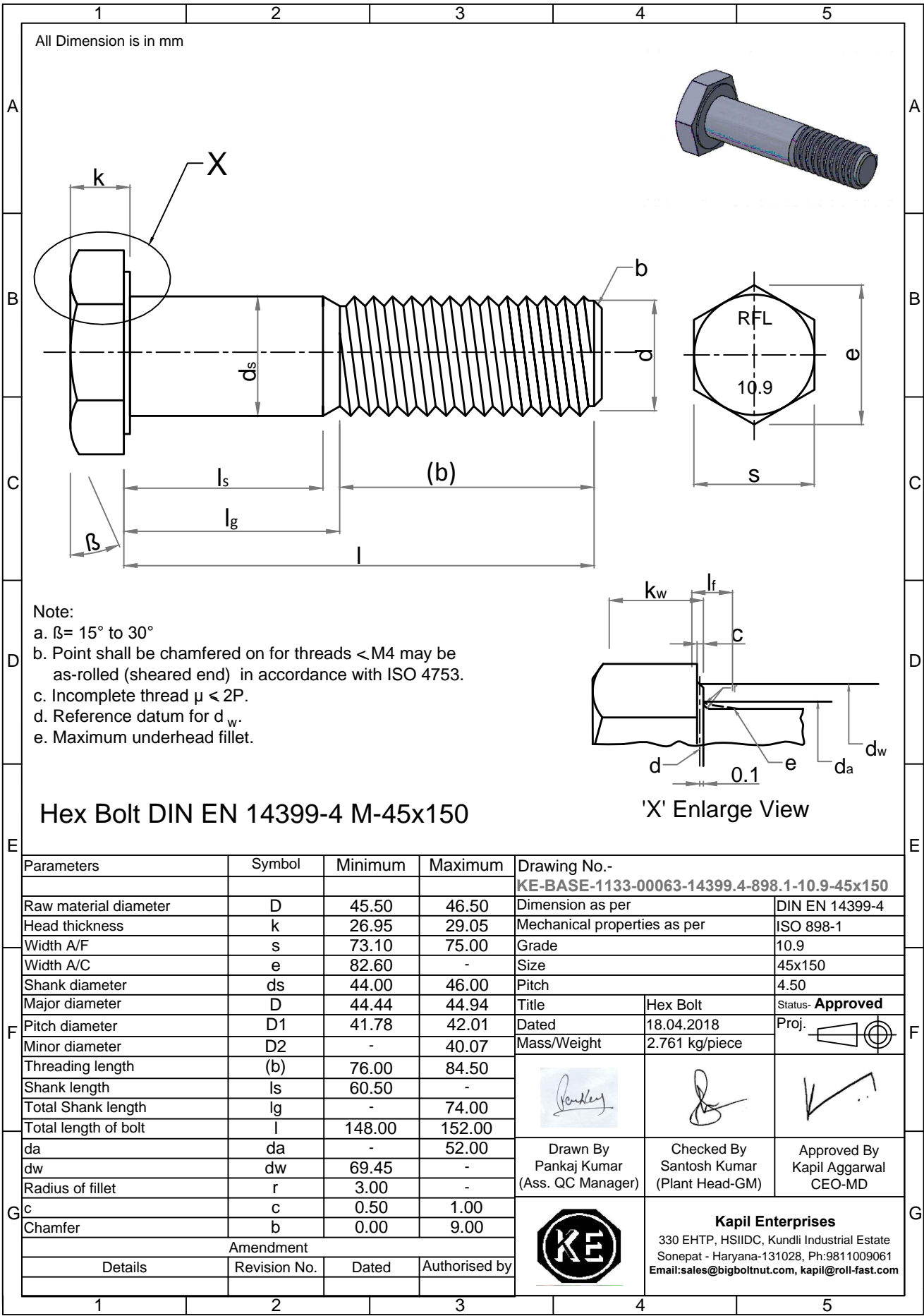


Note: This Drawing is the property of Kapil Enterprises-Kundli, and must not be copied or reproduced without permission or Written authorisation by Kapil Enterprises-Kundli



All Dimension is in mm

- Note:
- a.  $\beta = 15^\circ$  to  $30^\circ$
  - b. Point shall be chamfered on for threads < M4 may be as-rolled (sheared end) in accordance with ISO 4753.
  - c. Incomplete thread  $\mu < 2P$ .
  - d. Reference datum for  $d_w$ .
  - e. Maximum underhead fillet.

### Hex Bolt DIN EN 14399-4 M-45x150

'X' Enlarge View

| Parameters            | Symbol       | Minimum | Maximum       |
|-----------------------|--------------|---------|---------------|
| Raw material diameter | D            | 45.50   | 46.50         |
| Head thickness        | k            | 26.95   | 29.05         |
| Width A/F             | s            | 73.10   | 75.00         |
| Width A/C             | e            | 82.60   | -             |
| Shank diameter        | ds           | 44.00   | 46.00         |
| Major diameter        | D            | 44.44   | 44.94         |
| Pitch diameter        | D1           | 41.78   | 42.01         |
| Minor diameter        | D2           | -       | 40.07         |
| Threading length      | (b)          | 76.00   | 84.50         |
| Shank length          | ls           | 60.50   | -             |
| Total Shank length    | lg           | -       | 74.00         |
| Total length of bolt  | l            | 148.00  | 152.00        |
| da                    | da           | -       | 52.00         |
| dw                    | dw           | 69.45   | -             |
| Radius of fillet      | r            | 3.00    | -             |
| c                     | c            | 0.50    | 1.00          |
| Chamfer               | b            | 0.00    | 9.00          |
| Amendment             |              |         |               |
| Details               | Revision No. | Dated   | Authorised by |
|                       |              |         |               |

**Drawing No. - KE-BASE-1133-00063-14399.4-898.1-10.9-45x150**

|  |  |   |
|--|--|---|
| Dimension as per   | DIN EN 14399-4                                     |   |
| Mechanical properties as per   | ISO 898-1  |   |
| Grade  | 10.9   |   |
| Size   | 45x150   |   |
| Pitch  | 4.50   |   |
| Title  | Hex Bolt   | Status- <b>Approved</b>                     |
| Dated  | 18.04.2018   | Proj.                                       |
| Mass/Weight  | 2.761 kg/piece                                     |   |
| <br>Drawn By<br>Pankaj Kumar<br>(Ass. QC Manager)  | <br>Checked By<br>Santosh Kumar<br>(Plant Head-GM) | <br>Approved By<br>Kapil Aggarwal<br>CEO-MD |
|  |  |   |
| <b>Kapil Enterprises</b><br>330 EHTP, HSIIDC, Kundli Industrial Estate<br>Sonapat - Haryana-131028, Ph:9811009061<br>Email:sales@bigboltnut.com, kapil@roll-fast.com |  |   |