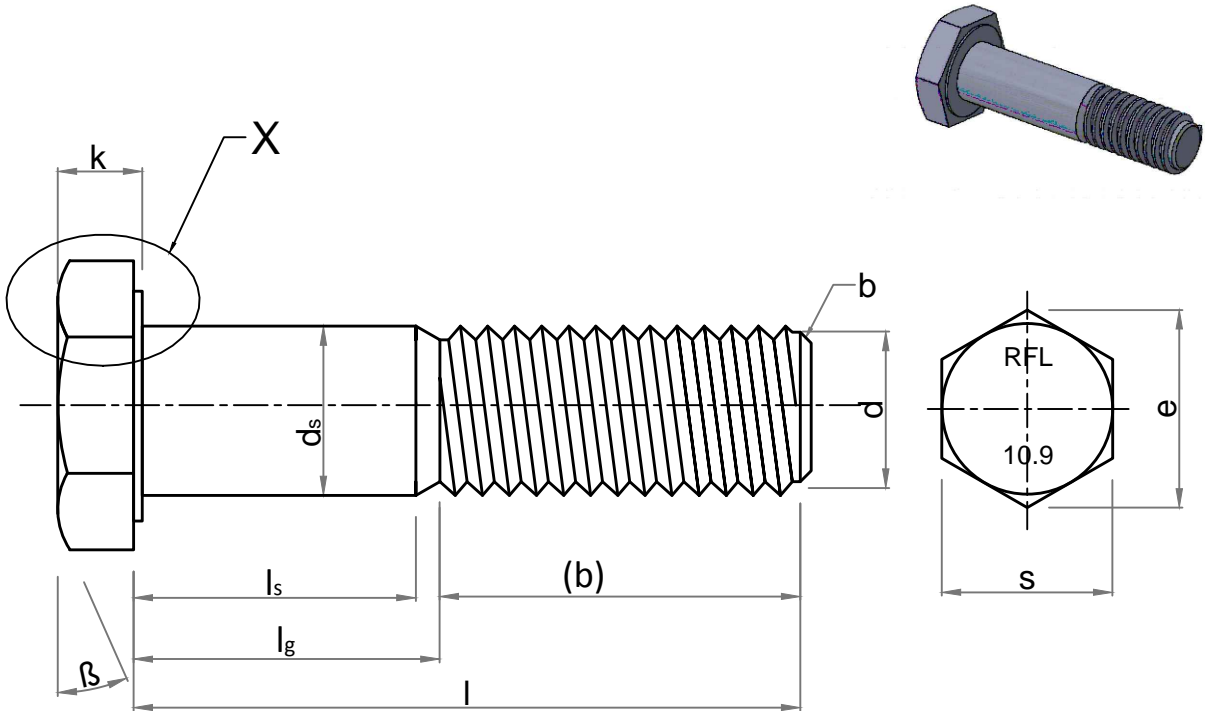


Note: This Drawing is the property of Kapil Enterprises-Kundli, and must not be copied or reproduced without permission or Written authorisation by Kapil Enterprises-Kundli

All Dimension is in mm



Note:

- a.  $\beta = 15^\circ$  to  $30^\circ$
- b. Point shall be chamfered on for threads  $< M4$  may be as-rolled (sheared end) in accordance with ISO 4753.
- c. Incomplete thread  $\mu < 2P$ .
- d. Reference datum for  $d_w$ .
- e. Maximum underhead fillet.



### Hex Bolt DIN EN 14399-4 M-39x260

'X' Enlarge View

Parameters	Symbol	Minimum	Maximum
Raw material diameter	D	39.50	40.50
Head thickness	k	23.95	26.05
Width A/F	s	63.10	65.00
Width A/C	e	71.30	-
Shank diameter	ds	38.00	40.00
Major diameter	D	38.46	38.94
Pitch diameter	D1	36.12	36.34
Minor diameter	D2	-	34.61
Threading length	(b)	68.00	75.00
Shank length	ls	180.00	-
Total Shank length	lg	-	192.00
Total length of bolt	l	257.40	262.60
da	da	-	45.00
dw	dw	60.00	-
Radius of fillet	r	2.50	-
c	c	0.50	1.00
Chamfer	b	0.00	8.00

Drawing No.- <b>KE-BASE-1133-00045-14399.4-898.1-10.9-39x260</b>		
Dimension as per	DIN EN 14399-4	
Mechanical properties as per	ISO 898-1	
Grade	10.9	
Size	39x260	
Pitch	4.00	
Title	Hex Bolt	Status- <b>Approved</b>
Dated	17.04.2018	Proj.
Mass/Weight	3.018 kg/piece	
Drawn By Pankaj Kumar (Ass. QC Manager)	Checked By Santosh Kumar (Plant Head-GM)	Approved By Kapil Aggarwal CEO-MD
<b>Kapil Enterprises</b> 330 EHTP, HSIIDC, Kundli Industrial Estate Sonepat - Haryana-131028, Ph:9811009061 Email:sales@bigboltnut.com, kapil@roll-fast.com		
Amendment		
Details	Revision No.	Dated
		Authorised by

Note: This Drawing is the property of Kapil Enterprises-Kundli, and must not be copied or reproduced without permission or Written authorisation by Kapil Enterprises-Kundli